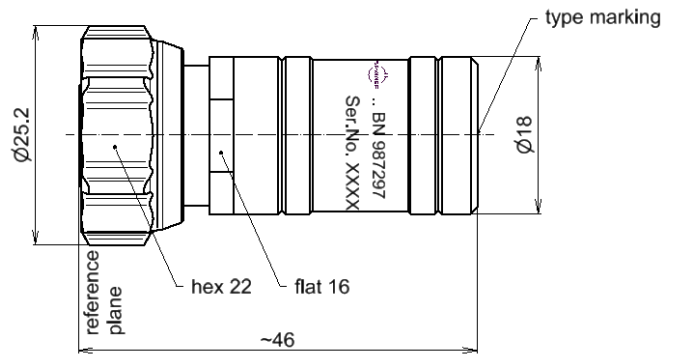


Precision Load || BN 987297



all dimensions in millimeter

Radio frequency characteristics

Interface type	4.1-9.5 plug per IEC 60169-11
Frequency range	DC to 12.5 GHz
Impedance	50 Ω
DC-resistance	50 Ω ± 0.5 Ω
Return loss, min.	40 dB @ DC to 6 GHz 32 dB @ 6 to 12.5 GHz
Power rating, max.	0.5 W

Mechanical characteristics

Center conductor material / surface finish	CuBe age hardened / gold-plated copper alloy / gold-plated
Outer conductor material / surface finish	copper alloy / gold-plated
Insulation	cross linked polystyrene
Other metallic parts / surface finish	copper alloy / nickel-plated stainless steel
Weight, approx.	0.07 kg
Marking	laser engraving

Environmental conditions

Operation	
Ambient temperature range	+18 to +28°C
Storage	
Ambient temperature range	-40 to +70°C
Relative humidity	95% (non-condensing)

Scope of delivery and accessories

Scope of delivery	certificate of calibration, handling instructions
-------------------	---