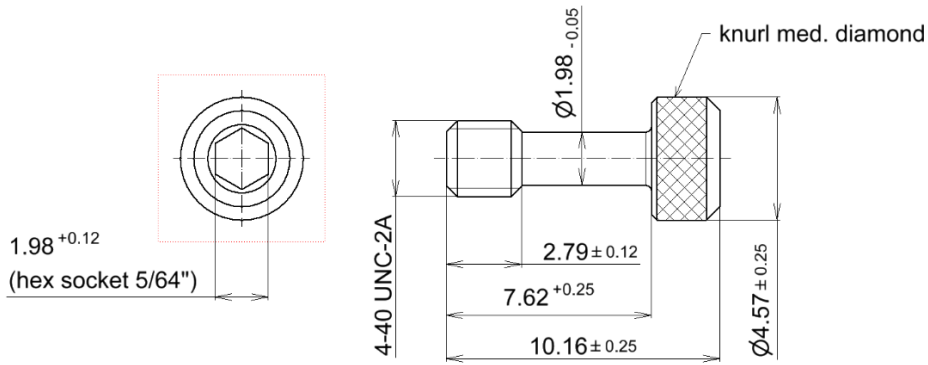


Waveguide Socket-Head Cap Screw || BN A61786



all dimensions in mm

Technical characteristics

Standard	MIL-DTL-3922/67
Material / surface finish	stainless steel / passivated
Weight, approx.	1 g

SPINNER GmbH
 This document is proprietary to us.
 All rights reserved. Any use, transfer, or reproduction of this document
 or the know-how contained therein requires our express consent.

Template TD-00003A