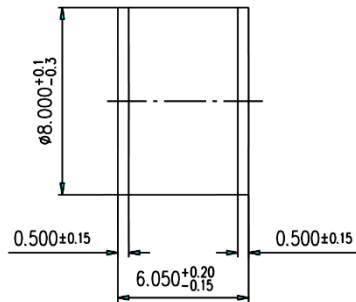


Gas Discharge Arrestor 90 V || BN A72245



all dimensions in millimeter

Sparkover voltage	- static - dynamic (1 kV/ μ s)	70 V to 110 V < 550 V
RF power rating Single carrier at VSWR 1.22 with a security margin of 1.5		≤ 20 W
Arc (residual) voltage (@ 1A)		~ 10 V
Allowed surge current:	- single pulse (8/20 μ s) - 10 pulses (8/20 μ s)	min. 30 kA min. 20 kA
Isolation resistance (@ 50 V _{dc})		> 10 G Ω
Capacitance (@ 1MHz):		< 1.5 pF
Version		free from radioactivity