

Rigid Line Components 52-120 SMS

- Outer conductor system aluminium/aluminium alloy
- Quick and simple assembly
- No special tools required
- PTFE insulation
- For indoor application

Components

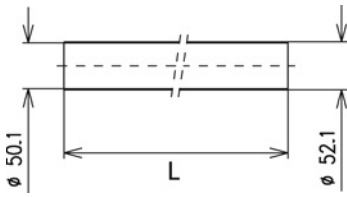
	Length	Weight	Part Number
Inner conductor tube (copper)	L = 2 m	2.90 kg	BN A02424
	L = 4 m	5.80 kg	BN K24058C0004
Outer conductor tube (aluminium)	L = 2 m	3.20 kg	BN A02426
	L = 4 m	6.40 kg	BN K20206C0004
Inner support		1.78 kg	BN 542705
Adapter SMS clamp to 4 1/2" EIA (339 IEC 50-105)		6.78 kg	BN 542720C0001
Coupling element for 4 1/2" EIA (339 IEC 50-105) incl. screw set		1.07 kg	BN 822810
Adapter SMS clamp to 6 1/8" EIA		9.50 kg	BN 542701
Coupling element for 6 1/8" EIA incl. screw set		2.12 kg	BN 919310
Adapter SMS clamp to 52-120 BT		0.90 kg	BN 542726
Coupling element 52-120 BT incl. screw set		1.31 kg	BN 528101
Rigid line splice		3.34 kg	BN 542704
90° Elbow		5.22 kg	BN 542702

Electrical Data

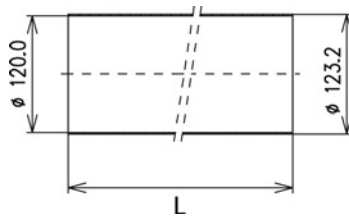
Impedance		50 Ω
Cut off frequency for H11-Mode		1.0 GHz
Proof voltage at sea level (NN)		22.0 kV
Frequency range		$0 \leq f \leq 890$ MHz
Average power at +40 °C ambient temperature	100 MHz 230 MHz 860 MHz	≤ 140.0 kW ≤ 92.0 kW ≤ 47.0 kW (≤ 57.0 kW) ¹
Attenuation at +20 °C ambient temperature (dB/100m)	100 MHz 230 MHz 860 MHz	0.24 0.36 0.69
Installation instruction		M 36127

¹ In this case it is necessary to paint the rigid line with a black, heat resistant varnish

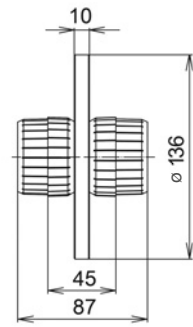
Rigid Line Components 52-120 SMS



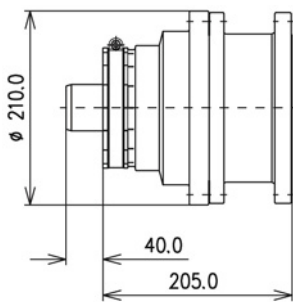
Inner conductor tube
BN A02424; BN K24058



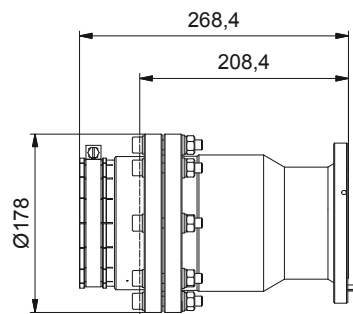
Outer conductor tube (not painted)
BN A02426; BN K20206



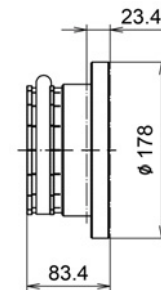
Coupling element 52-120 BT incl. screw set
BN 528101



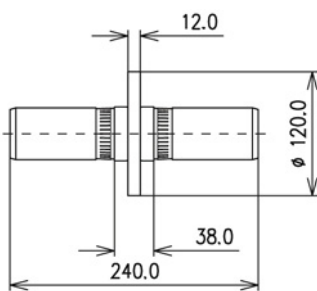
Adapter SMS clamp to 6 1/8" EIA
BN 542701



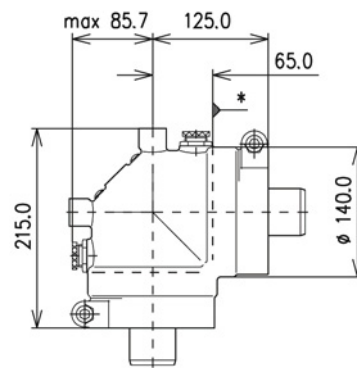
Adapter SMS clamp to 4 1/2" EIA¹
BN 542720C0001



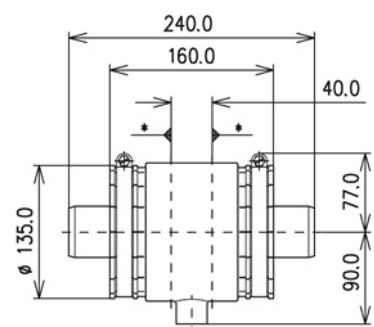
Adapter SMS clamp to 52-120 BT
BN 542726



Inner support
BN 542705



90° Elbow with adjustment screws
BN 542702



Rigid line splice
BN 542704

Length of rigid line L	Number inner supports required
3.0 m ≤ L ≤ 4.0 m	1

¹ 339 IEC 50-105

* Reference plane