

# Installation guide for antenna BN A77150

## 1 Introduction and safety advice

This instruction shall provide information how to install the antenna with mounting kits.

All shown tasks are intended to be carried out by qualified personnel only. Safety rules apply (e.g. for working with heavy loads, radio frequency power signals or tools). In order to prevent damage to equipment and humans, make sure that no RF power is present at the combiner during installation.

Please note that satisfactory performance of the system (especially in terms of intermodulation) can only be achieved if all jumper cables and connectors are handled properly. Please make sure that all connectors are clean and free from metal dust or dirt. Avoid sharp bending of the connecting jumper cables.

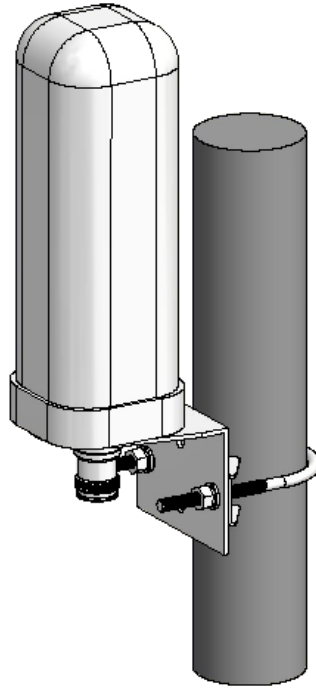
After carrying out all described steps, the antenna is ready for use. Make sure that the specified environmental conditions for operation are not exceeded.

SPINNER does not guarantee for any faults or damage resulting from improper installation.

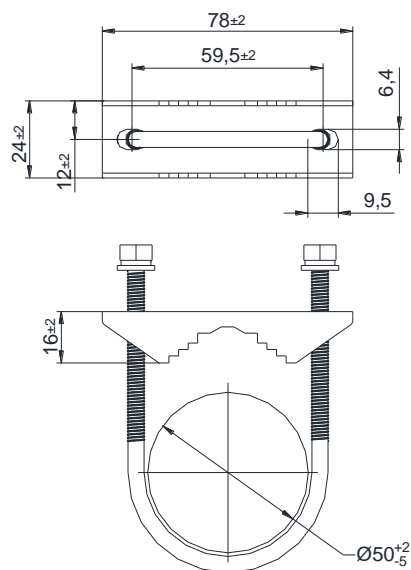
## 2 Installation

### 2.1 Install the antenna

Secure the antenna on the pole with the mounting plate and mast bracket using the M5 nuts.

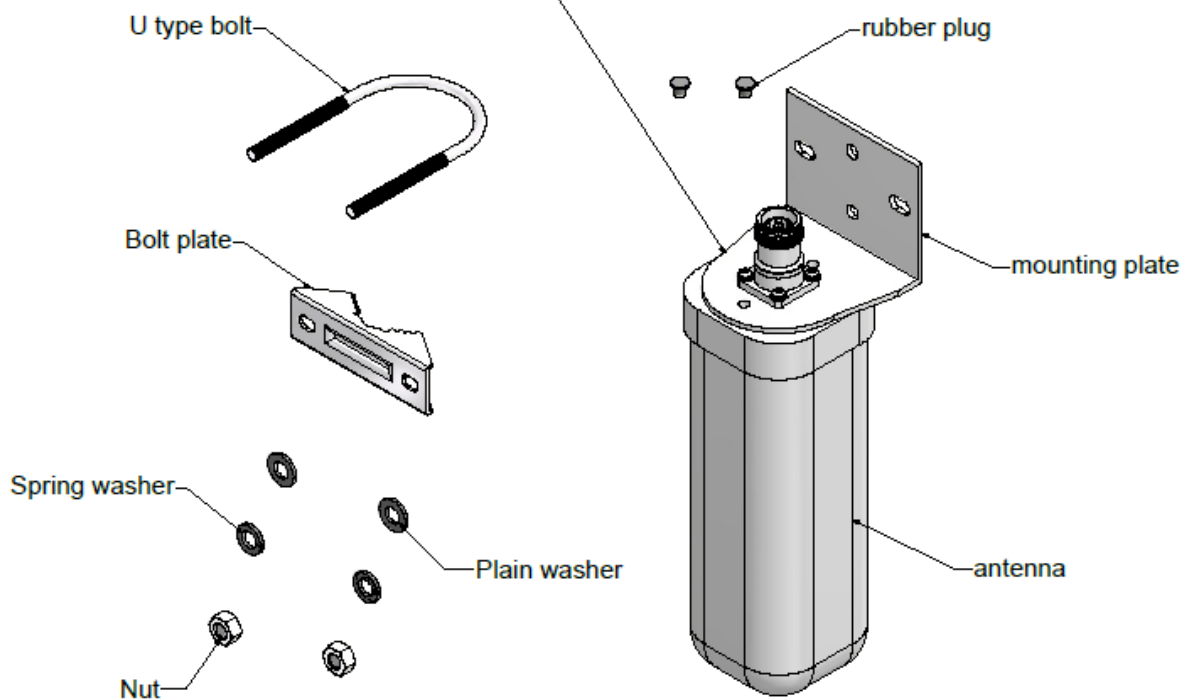
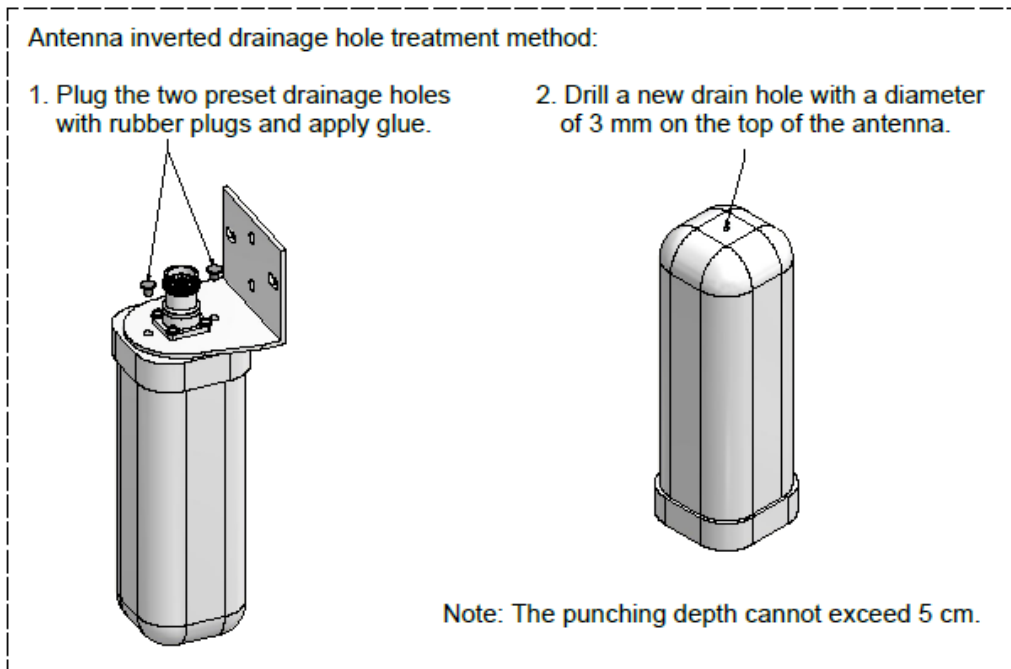


### Dimensions of Mast Bracket:

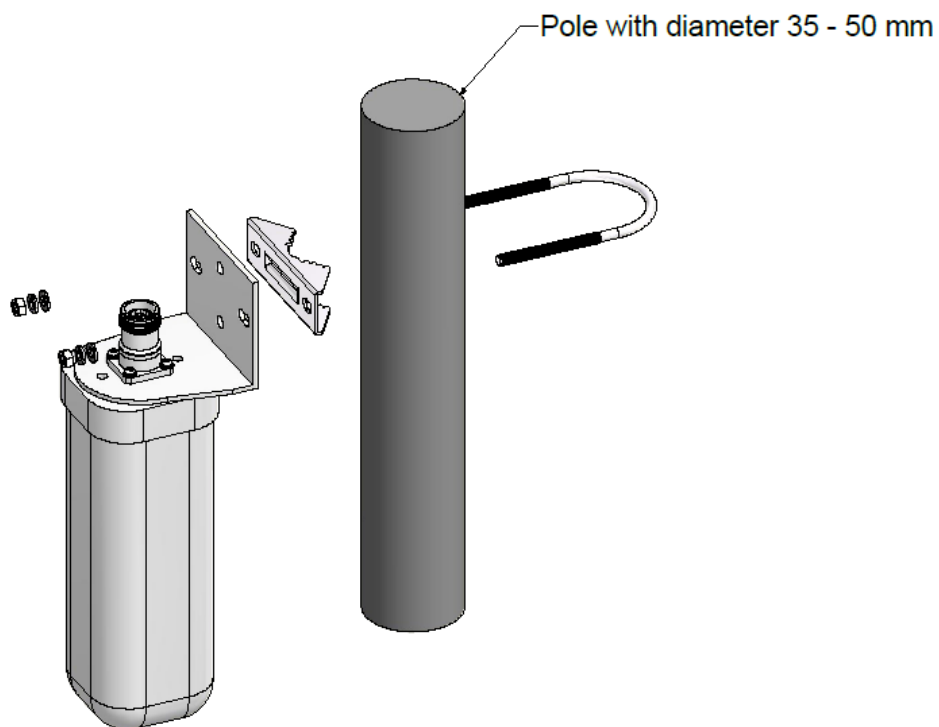


## 2.2 Install the antenna upside down

Step 1: Please prepare the materials and tools.



Step 2: Secure the antenna on the pole using the U type bolt and mast bracket.



Step 3: Complete the installation by tightening the M5 nuts.

