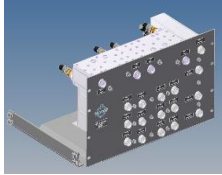
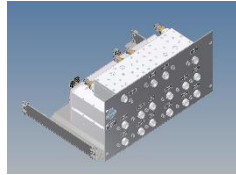


Multiband Combining System

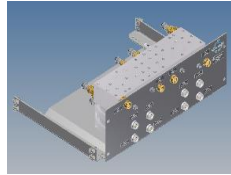
with 4 output ports



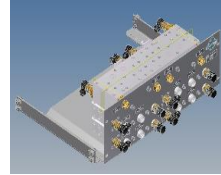
BN 572663



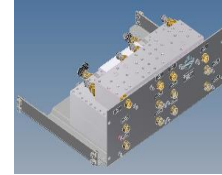
BN 572679



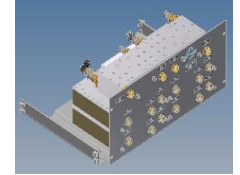
BN 572685



BN 572687



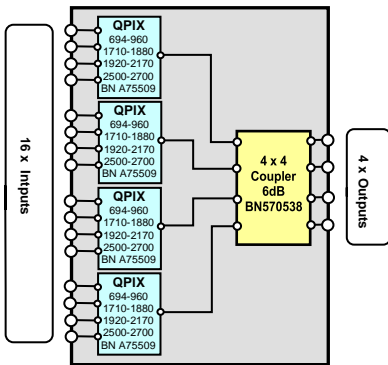
BN 572688



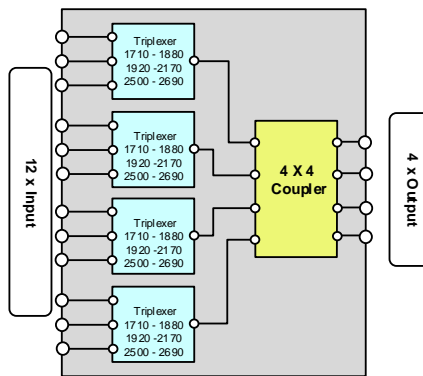
BN 572689

Part number	BN 572663	BN 572679	BN 572685	BN 572687	BN 572688	BN 572689
Input* : output	16 : 4	12 : 4	8 : 4	8 : 4	8 : 4	12 : 4
Connectors	4.3-10 female (50 Ohms)					
Frequency range	694 - 960 MHz	1710 - 1880 MHz	694 - 960 MHz	694 - 2170 MHz	1710 - 1880 MHz	694 - 960 MHz
Band 1	1710 - 1880 MHz	1920 - 2170 MHz	1710 - 2170 MHz	2496 - 2690 MHz	1920 - 2170 MHz	1710 - 1880 MHz
Band 2	1920 - 2170 MHz	2500 - 2690 MHz				1920 - 2170 MHz
Band 3	2500 - 2690 MHz					
Band 4						
Insertion loss (* splitting losses)	≤ 0.75 dB + 6.1 dB ± 0.9 dB*	≤ 0.6 dB + 6.1 dB ± 0.6 dB*	≤ 0.35 dB + 6.1 dB ± 0.9 dB*	≤ 0.55 dB + 6.1 dB ± 0.9 dB*	≤ 0.65 dB + 6.1 dB ± 0.9 dB*	≤ 0.65 dB + 6.1 dB ± 0.9 dB*
Isolation	≥ 50 dB					
Interband	≥ 30 dB					
Intraband						
VSWR	≤ 1.4 (typ. 1.25)					
Power rating (each input port)	≤ 125 W	≤ 100 W	≤ 200 W	≤ 200 W	≤ 200 W	≤ 130 W
IM-value						
3rd order @ 2 x 20 W	≤ -155 dBc typical: ≤ -160 dBc					
Degree of protection	Indoor use (all components IP65)					
Environmental conditions:	ETSI EN 300019-1-1 Class 1.2 ETSI EN 300019-1-3 Class 3.3 ETSI EN 300019-1-2 Class 2.3					
Weight:	26.4 kg	25 kg	12 kg	21 kg	21 kg	24 kg
Mounting:	Wall mounting or 19" Rack mounting included					
Temperature range:	-40 °C – +65 °C					

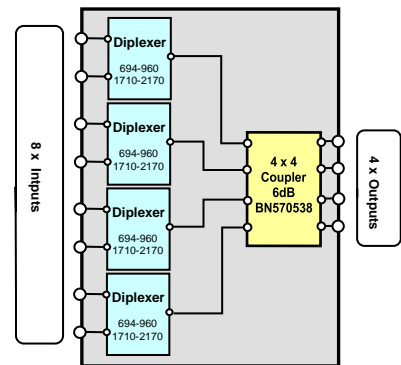
*unused input ports must be terminated with 5W standard load 531726 (to be ordered separately).



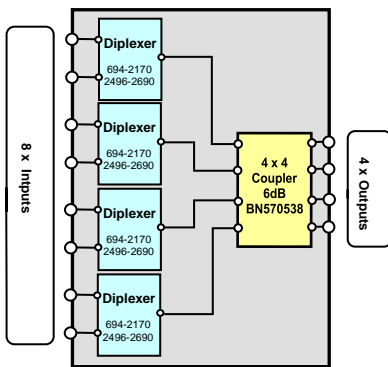
BN 572663



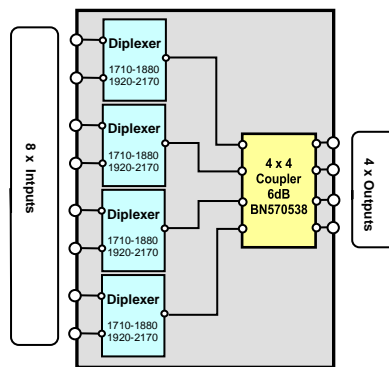
BN 572679



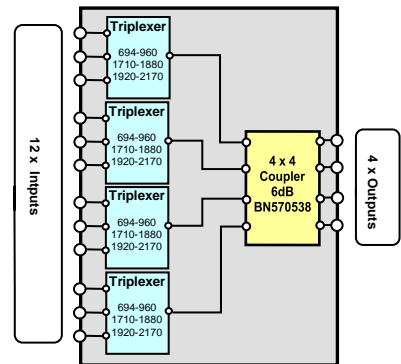
BN 572685



BN 572687

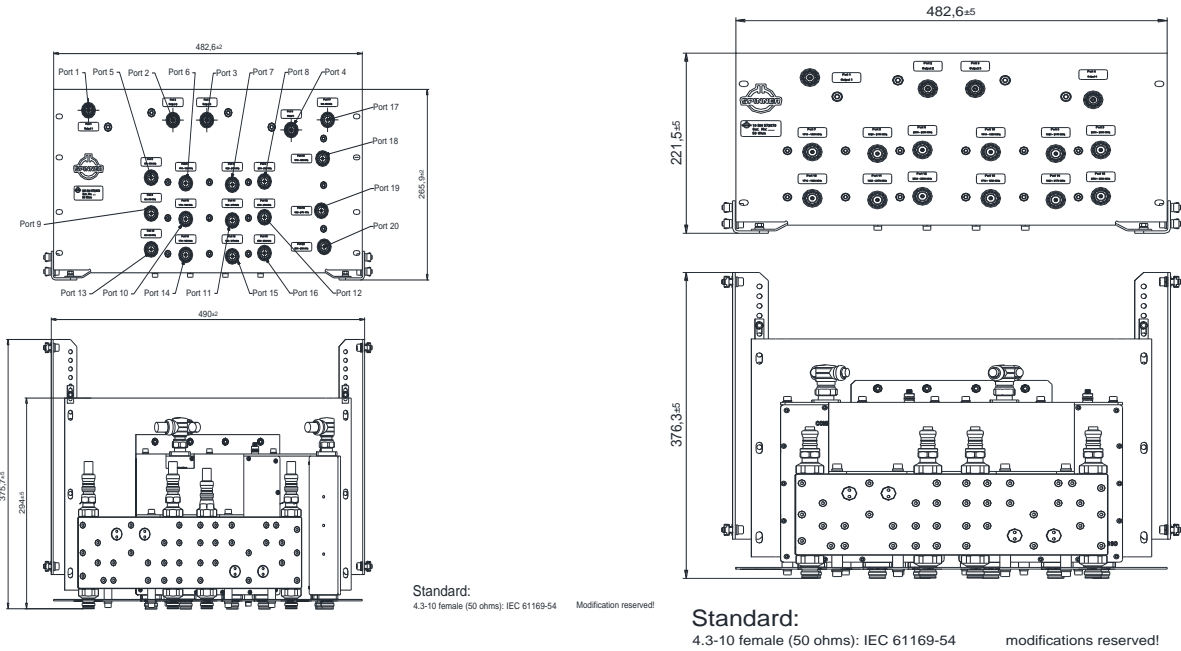


BN 572688



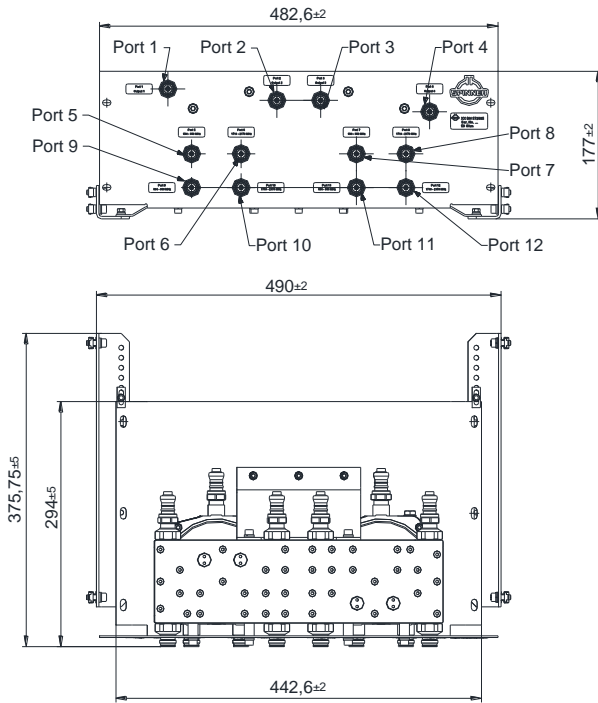
BN 572689

Dimensions:



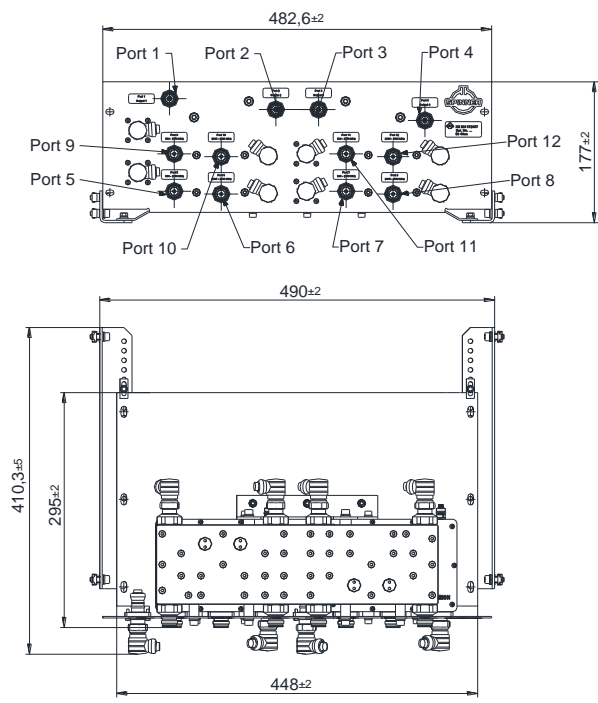
BN 572663

BN 572679



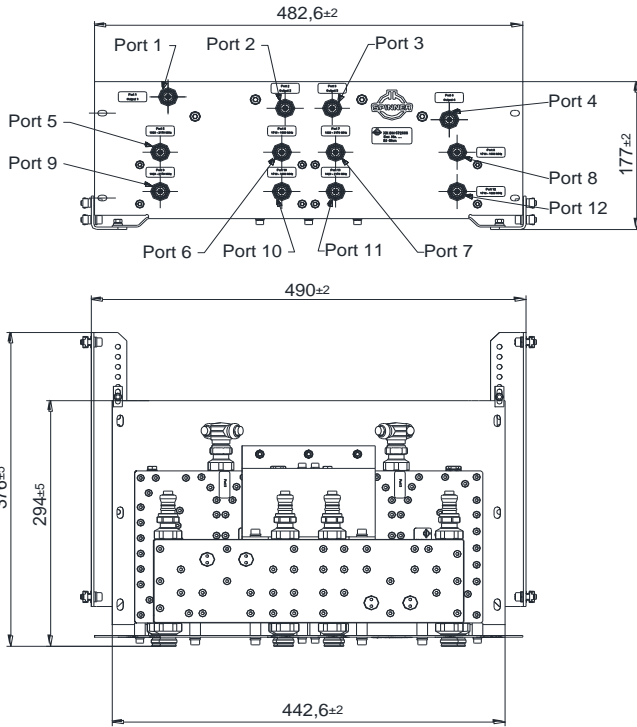
Standard:
4.3-10 female: 50 (ohms) IEC 61169-54 Modification reserved!

BN 572685



Standard:
4.3-10 female (50 ohms): IEC 61169-54; 62299 Modification reserved!

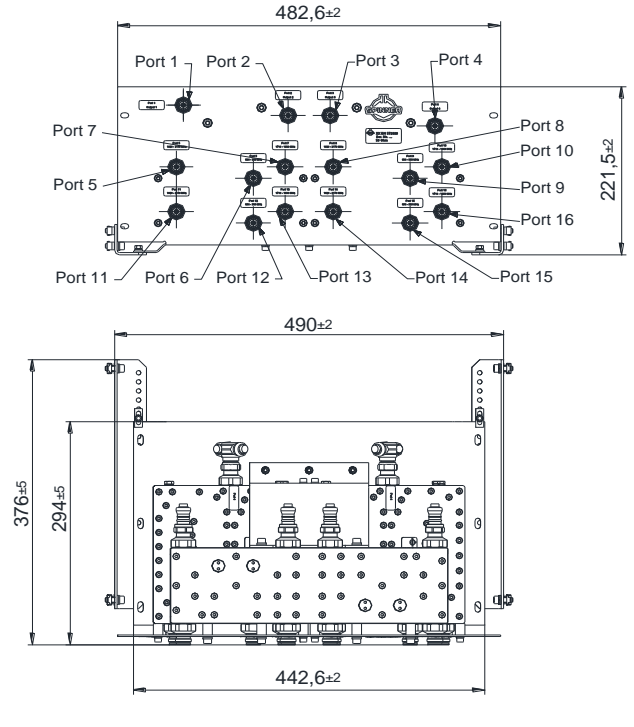
BN 572687



Standard:

4.3-10 female (50 ohms): IEC 61169-54; 62299 Modification reserved!

BN 572688



Standard:

4.3-10 female (50 ohms): IEC 61169-54; 62299 Modification reserved!

BN 572689