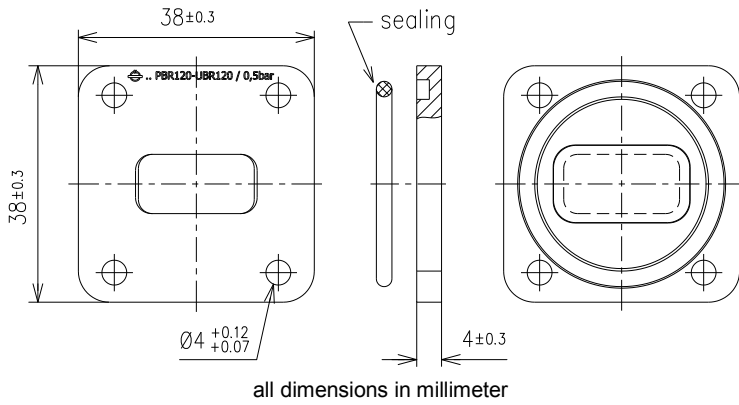


Waveguide Pressure Window R 120 || BN 617648



Interface type	similar PBR/UBR 120 per IEC 60154-2
Frequency range	9.8 to 15 GHz
VSWR, max.	1.04
Material	copper alloy
Surface finish	silver plated
Other parts	PI foil
Sealing	silicone rubber
Differential operating pressure, max.	0.05 MPa (0.5 bar), both-way
Weight, approx.	0.04 kg
Scope of delivery	sealing