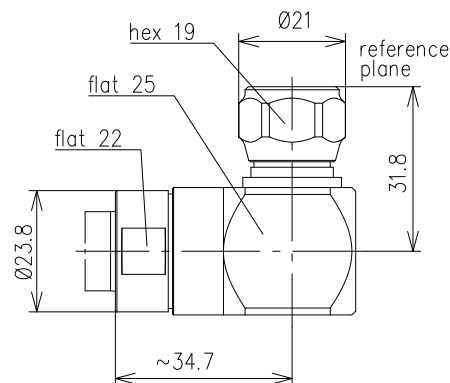


RIGHT ANGLE PLUG FOR 1/2"-50-TYPE N



Part number	BN 70 64 16		
Connector type	N plug		
Version	MultiFit™		
Impedance	50 Ω		
Frequency range	0 - 1 GHz	≤ 1 - 2.7 GHz	≤ 2.7 - 3.8 GHz
VSWR	≤ 1.03	≤ 1.08	≤ 1.1
Material and surface			
Inner conductor	copper alloy	silver-plated	
Outer conductor	copper alloy copper alloy	CuSnZn-plated silver-plated	
Other metal parts	copper alloy copper alloy copper alloy	bright nickel-plated tin-plated CuSnZn-plated	
Insulation	PTFE		
Sealing	silicone rubber, EPDM		
Degree of protection	IP68 (mated)		
Cable compatibility	Spinner	SPINNERFlex™ LF1/2"-50	
	Acome	HPL50-1/2 F	
	Andrew	LDF4-50A	
	Draka	RFA 1/2"-50	
	Eupen	EC4-50	
	Hansen	RF 50 1/2"	
	Hengxin	HCAAY-50-12	
	Leoni	FlexLine 1/2"R	
	LS Cable	HFC 12D Flexible Foam	
	RFS	LCF 12-50, LCF 12-50L	
Standards	IEC 61169-16		
Installation instructions	M32130		
Included in delivery	cutting guide, installation instructions		