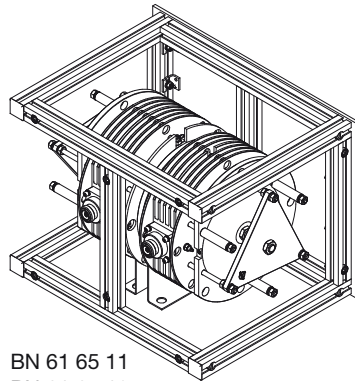
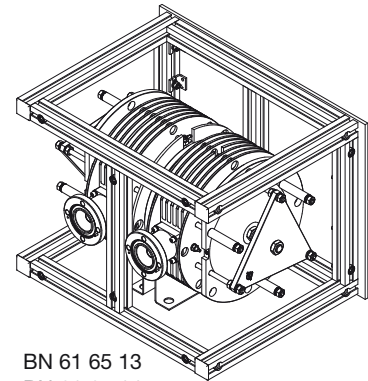


1.2 KW - 1.6 KW BAND L DAB/T-DMB BANDPASS FILTER

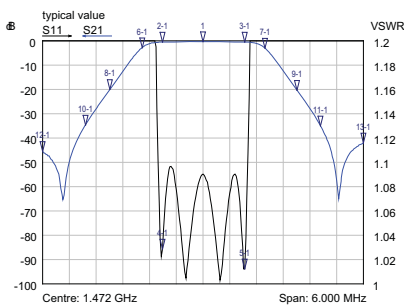
- mask filter for DAB and T-DMB
- for 1,54 MHz block bandwidth
- with cross coupling (notch function)
- temperature compensated
- dual mode technique
- mounted in 19" drawer
- DC block



BN 61 65 11
BN 61 65 12



BN 61 65 13
BN 61 65 14



Typical diagram AS4040

| Part number | BN 61 65 11 | BN 61 65 13 | BN 61 65 12 | BN 61 65 14 |
|--|--|-------------------|--------------------|-------------------|
| Connectors | 7-16 female | 1 5/8" EIA | 7-16 female | 1 5/8" EIA |
| Frequency range | 1452 - 1468 MHz | | 1468 - 1492 MHz | |
| Number / Size of cavities | 4 / DM | | | |
| Mask filtering | DAB / T-DMB @ 1.54 MHz ($\dot{U}/U_{rms}=13$ dB) | | | |
| Average input power | ≤ 1.2 kW 7-16 female ≤ 1.6 kW 1 5/8" EIA | | | |
| Tuning instruction | AS4040 | | | |
| Insertion loss & Mask filtering (alternative tuning on request) | f_0 ≤ 0.50 dB $f_0 \pm 0.77$ ≤ 0.65 dB $f_0 \pm 0.97$ ≥ 0.80 dB $f_0 \pm 1.15$ ≥ 1.5 dB $f_0 \pm 1.75$ ≥ 12 dB $f_0 \pm 2.20$ ≥ 26 dB $f_0 \pm 3.00$ ≥ 40 dB | | | |
| VSWR (pass band range) | ≤ 1.10 | | | |
| Group delay variation | $\Delta\tau \leq 110$ ns | | | |
| Temperature stability | ≤ 1.5 kHz / K | | | |
| Dimensions (L x W x H) mm | 483 x 355 x 360 | | | |
| Weight | ca. 25 kg | | ca. 30 kg | |
| Environmental conditions | for limitations see „Environmental Conditions for Broadcast Products“ | | | |