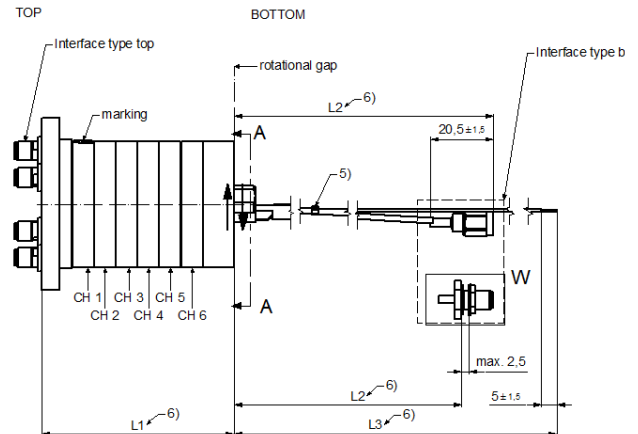
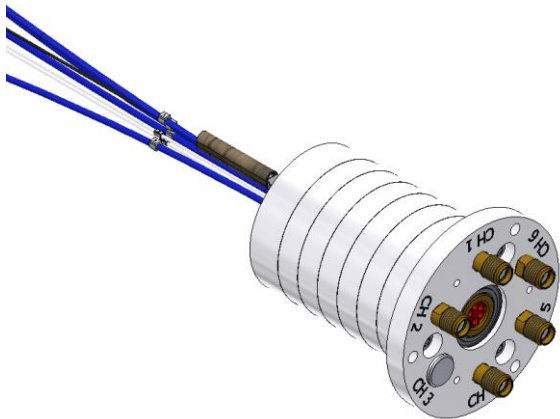
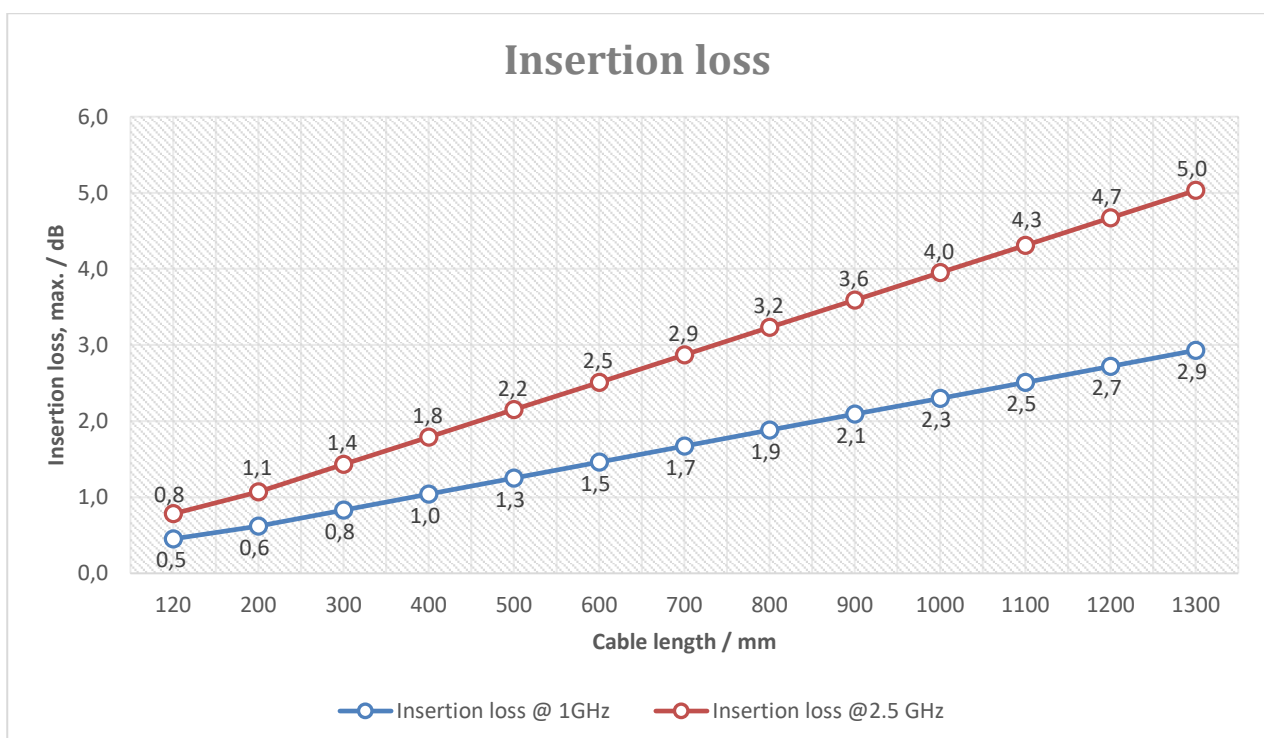


Rotary Joint || BN 153266CXXXX



Radio frequency characteristics

Frequency range	DC to 2.5 GHz
Peak power capability	1 kW
Average power capability	10 W
VSWR, max.	1.7
VSWR variation over rotation, max.	0.5
Insertion loss, max.	Depends on cable length See table below
Insertion loss variation over rotation, max.	0.2 dB
Phase variation over rotation, max.	5 deg.
Remark	Each channel can either be used for radio frequency or DC transmission.



Template TD-00015G



Rotary Joint || BN 153266CXXXX

Available Configurations

	No of Channels		Interface type / material / surface finish		L1 ± 2 / mm	L2 ± 5 / mm	L3 ± 10 / mm	Isolation, min. (between channels) / dB	
	No of RF-Channels	No of DC-Channels	Top	Bottom					
				RF-Channels					DC-Channels
153266C1000	1	0	Top SMA-f (50 Ω) / copper alloy / gold plated	SMA-f (50 Ω) backwall / copper alloy / gold plated	---	27,5	120	---	40
153266C2000	2	0		SMA-f (50 Ω) backwall / copper alloy / gold plated	---	34,5	120	---	40
153266C3000	3	0		SMA-f (50 Ω) backwall / copper alloy / gold plated	---	41,5	120	---	40
153266C3001	2	1		SMA-f (50 Ω) backwall / copper alloy / gold plated	Power: 1x LIY 0,14mm ² (red) GND: 1x AWG24 (black)	41,5	120	300	55
153266C3004	2	1		SMA-m (50 Ω) backwall / copper alloy / gold plated	Power: 1x LIY 0,14mm ² (red) GND: 1x AWG24 (black)	41,5	200	300	55
153266C3005	3	0		SMA-m (50 Ω) backwall / copper alloy / gold plated	---	41,5	1000	---	55
153266C3006	3	0		SMA-m (50 Ω) backwall / copper alloy / gold plated	---	41,5	580	---	55
153266C4000	4	0		SMA-f (50 Ω) backwall / copper alloy / gold plated	---	48,5	120	---	40
153266C4001	4	0		SMA-m (50Ω) cable mount / copper alloy / gold plated	---	48,5	940	---	40
153266C4002	2	2		SMA-f (50Ω) backwall / copper alloy / gold plated	Power: 2x LIY 0,14mm ² (red) GND: 1x AWG24 (black)	48,5	120	300	40
153266C4005	4	0		SMA-m (50Ω) cable mount / copper alloy / gold plated	---	48,5	380	---	40
153266C5000	5	0		SMA-f (50Ω) backwall / copper alloy / gold plated	---	55,5	120	---	40
153266C6000	6	0		SMA-f (50Ω) backwall / copper alloy / gold plated	---	62,5	120	---	40

Template TD-00015G

Rotary Joint || BN 153266CXXXX

Slip Ring characteristics

DC carrying capability	2.5 A / 50 V 5.0 A start-up current < 10 ms
------------------------	--

Mechanical characteristics

Rotating speed, max. / nominal	60 rpm / 30 rpm
Life, min.	1 x 10 ⁶ revolutions
Torque (room / min. temperature), max.	15 Ncm / 15 Ncm @ start-up 15 Ncm / 15 Ncm @ rotation
Interface loads, max.	no loads allowed
Case material	aluminum alloy
Case surface finish	chromate conversion coat Painted none
IP protection level	IP40
Weight, approx.	0.25 kg @ C1XXX 0.35 kg @ C6XXX
Marking	adhesive label

Environmental conditions

Operation	
Operating altitude, max.	3.000 m
Ambient temperature range	-40 to +71°C
Relative humidity, max.	95% (non-condensing)
Storage	
Ambient temperature range	-55 to +85°C
Relative humidity, max.	95% (non-condensing)

Applicable documents

Drawing	153266CXXXX-0E, Issue D
Technical information	"Rotary Joints – Glossary", Technical Document TD-00021, Spinner GmbH