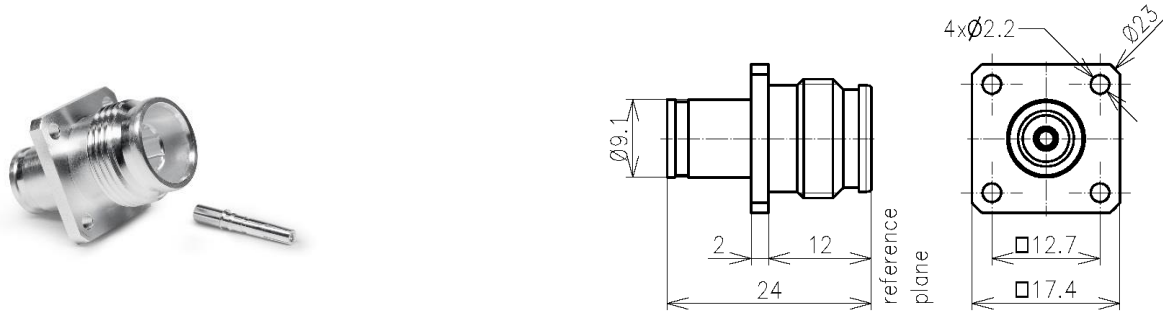


Fixed Socket for RG401/U Type 2.2-5 || BN 225045



all dimensions in millimeter

Interface type	2.2-5 socket (50 Ω) per IEC 61169-66
Version	4-hole flange, soldered
Frequency range	DC to 6 GHz
VSWR, max. / typ.	1.02 @ DC to 1 GHz 1.04 @ 1 to 2.2 GHz 1.10 @ 2.2 to 3.8 GHz 1.15 @ 3.8 to 6 GHz
Intermodulation (IM3) @ 2x 20W, max.	-165 dBc
Inner conductor material / surface finish	copper alloy / silver plated
Outer conductor material / surface finish	copper alloy / silver plated
Insulation	PTFE
IP protection level	IP68 per EN 60529 (interface connected with appropriate gasket)
Cable compatibility	RG401/U; SX250
Weight, approx.	15 g
Scope of delivery	Inner conductor added separately, installation instructions

SPINNER GmbH
 This document is proprietary to us.
 All rights reserved. Any use, transfer, or reproduction of this document
 or the know-how contained therein requires our express consent.