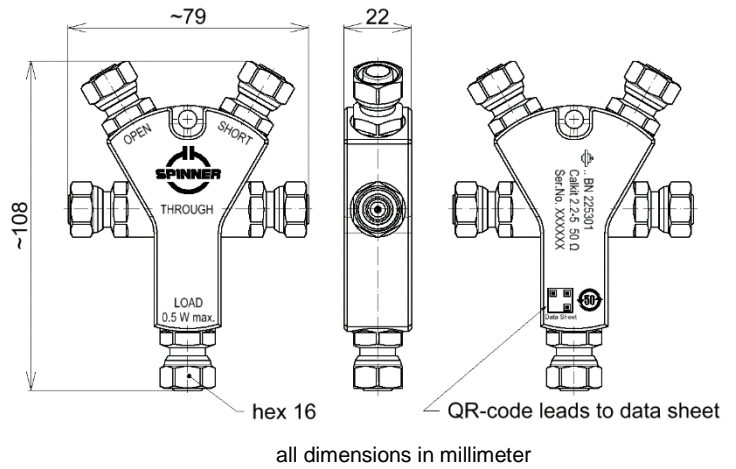


OSLT Compact Calibration Kit (4-in-1) || BN 225301



SPINNER GmbH  
 This document is proprietary to us.  
 All rights reserved. Any use, transfer, or reproduction of this document  
 or the know-how contained therein requires our express consent.

**Radio frequency characteristics**

Interface type		2.2-5 plug per IEC 61169-66
Frequency range		DC to 7.5 GHz
THROUGH	Return loss, min.	34 dB @ DC to 4 GHz 31 dB @ 4 to 7.5 GHz
	Insertion loss, max.	0.06 dB x $\sqrt{f}$ (GHz)
OPEN	Phase deviation, max.	1.5 deg. @ DC to 4 GHz 2.5 deg. @ 4 to 7.5 GHz
		1 deg. @ DC to 4 GHz 2 deg. @ 4 to 7.5 GHz
LOAD	DC-resistance	50 $\Omega$ $\pm$ 0.5 $\Omega$
	Return loss, min.	40 dB @ DC to 4 GHz 37 dB @ 4 to 7.5 GHz
		Power rating, max.

OSLT Compact Calibration Kit (4-in-1) || BN 225301

**Calibration data**

Format		Keysight (former Agilent) / Anritsu	Rohde & Schwarz
THROUGH	Electrical delay / length	233.929 ps	70.13 mm
OPEN	C0	$119 \times 10^{-15} \text{ F}$	119 fF
	C1	$2100 \times 10^{-27} \text{ F/Hz}$	2.1 fF/GHz
	C2	$-200 \times 10^{-36} \text{ F/Hz}^2$	$-0.2 \text{ fF}/(\text{GHz})^2$
	C3	$10.7 \times 10^{-45} \text{ F/Hz}^3$	$0.0107 \text{ fF}/(\text{GHz})^3$
	Offset	70.049 ps	21 mm
SHORT	L0	$59 \times 10^{-12} \text{ H}$	59 pH
	L1	$-4000 \times 10^{-24} \text{ H/Hz}$	-4 pH/GHz
	L2	$300 \times 10^{-33} \text{ H/Hz}^2$	$0.3 \text{ pH}/(\text{GHz})^2$
	L3	$-7.1 \times 10^{-42} \text{ H/Hz}^3$	$-0.0071 \text{ pH}/(\text{GHz})^3$
	Offset	70.049 ps	21 mm
Offset loss		1.5 GΩ/s	

**Mechanical characteristics**

Center conductor material / surface finish	CuBe age hardened, copper alloy / gold-plated
Outer conductor material / surface finish	copper alloy / gold-plated
Insulation	LCP, cross linked polystyrene
Other metallic parts / surface finish	aluminium / anodised (blue) copper alloy / nickel-plated
Weight, approx.	0.33 kg
Marking	laser engraving

Component Name	Toxic or Hazardous Substances and Elements					
	Pb	Hg	Cd	Cr 6+	PBB	PBDE
Metal parts	X	O	O	O	O	O

The environmental protection use period of 50 years is valid, if the product is used as intended.

**Environmental conditions**

<b>Operation</b>	
Ambient temperature range	-10 to +55°C
<b>Storage</b>	
Ambient temperature range	-40 to +70°C (in line with EN 60068-2-1 and EN 60068-2-2)

**Scope of delivery and accessories**

Scope of delivery	certificate of calibration, protective caps, protective bag, data sheet, handling instructions
-------------------	--