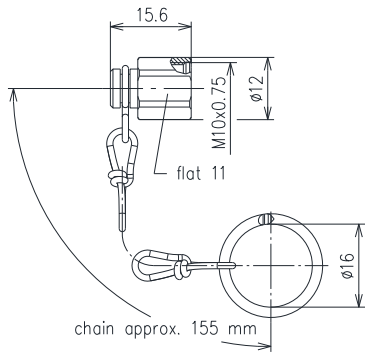


Protective Cap for NEX10 socket || BN 238923



all dimensions in millimeter

Interface type	NEX10® socket per IEC 61169-71
Cap material / surface finish	copper alloy / nickel plated
Other metal parts / surface finish	stainless steel / no finish
Sealing	silicone rubber
IP protection level	IP68 per EN 60529 (barrier and mating face sealed)
Weight, approx.	10 g

SPINNER GmbH  
 This document is proprietary to us.  
 All rights reserved. Any use, transfer, or reproduction of this document  
 or the know-how contained therein requires our express consent.