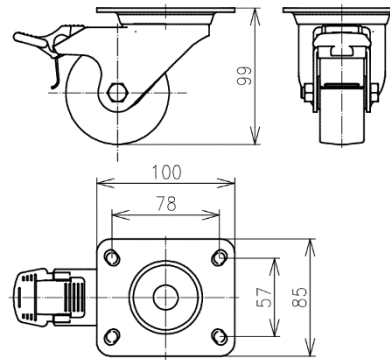


Swivel Castor Kit | BN 25365A



All dimensions in millimeter

Spare part kit for SPINNER SmartLoad with internal heat exchanger

Compatibility	SPINNER SmartLoad	BN 546404 BN 546404C... BN 546423 ¹⁾ BN 546423C... ¹⁾ BN 546434C0200 BN 546437 BN 546437C...
Housing and mounting plate material	steel	
Weight, approx.	2.6 kg	
Storage temperature range	-20 to +70 °C	
Scope of delivery	swivel castor with double stop (4 pc) screw M6x14 (16 pc)	

1) M6x14 screws not needed

SPINNER GmbH
 This document is proprietary to us.
 All rights reserved. Any use, transfer, or reproduction of this document
 or the know-how contained therein requires our express consent.