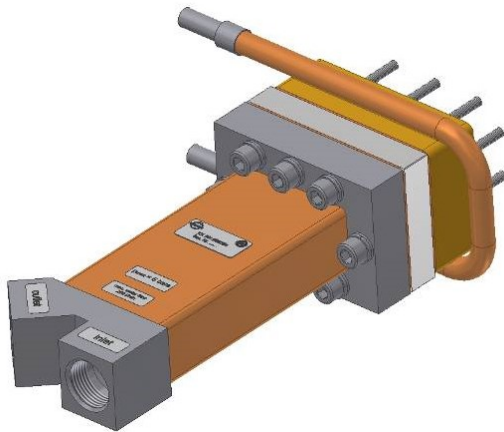


R32 Water Load || BN 268394



Radio frequency characteristics

Interface type / material / surface finish	CPR 284-F special / copper alloy / copper plated
Frequency range	3.7 GHz ± 5 MHz
Average power capability	700 kW*
VSWR, max.	1.05 @ output temperature main circuit above 40°C 1.15 @ output temperature main circuit 20 to 40°C

- * Conditions:
- Waveguide pressurized with SF₆ or N₂ at absolute operating pressure, 3·10⁵ Pa (3 bar);
 - Flow rate cooling main circuit, min. 3.8 l/s,
 - Flow rate cooling secondary circuit, min. 10 l/min;
 - Coolant input temperature, max. 40°C;
 - Absolute operating pressure main circuit, 6·10⁵ Pa (6 bar);
 - Pulse width, max. 1000s;
 - Duty cycle, max. 1/4.

General mechanical data

Waveguide differential operating pressure, max.	3·10 ⁵ Pa (3 bar)
Leakage rate, max.	5·10 ⁻⁴ mbar·l/s @ 4 bar absolute
RF relevant parts surface finish	copper plated
Case material	copper alloy, stainless steel, EPDM rubber, aluminium oxide
Case surface finish	painted flat black (RAL 9005)
Weight, approx.	8 kg
Marking	adhesive label

R32 Water Load || BN 268394

Cooling

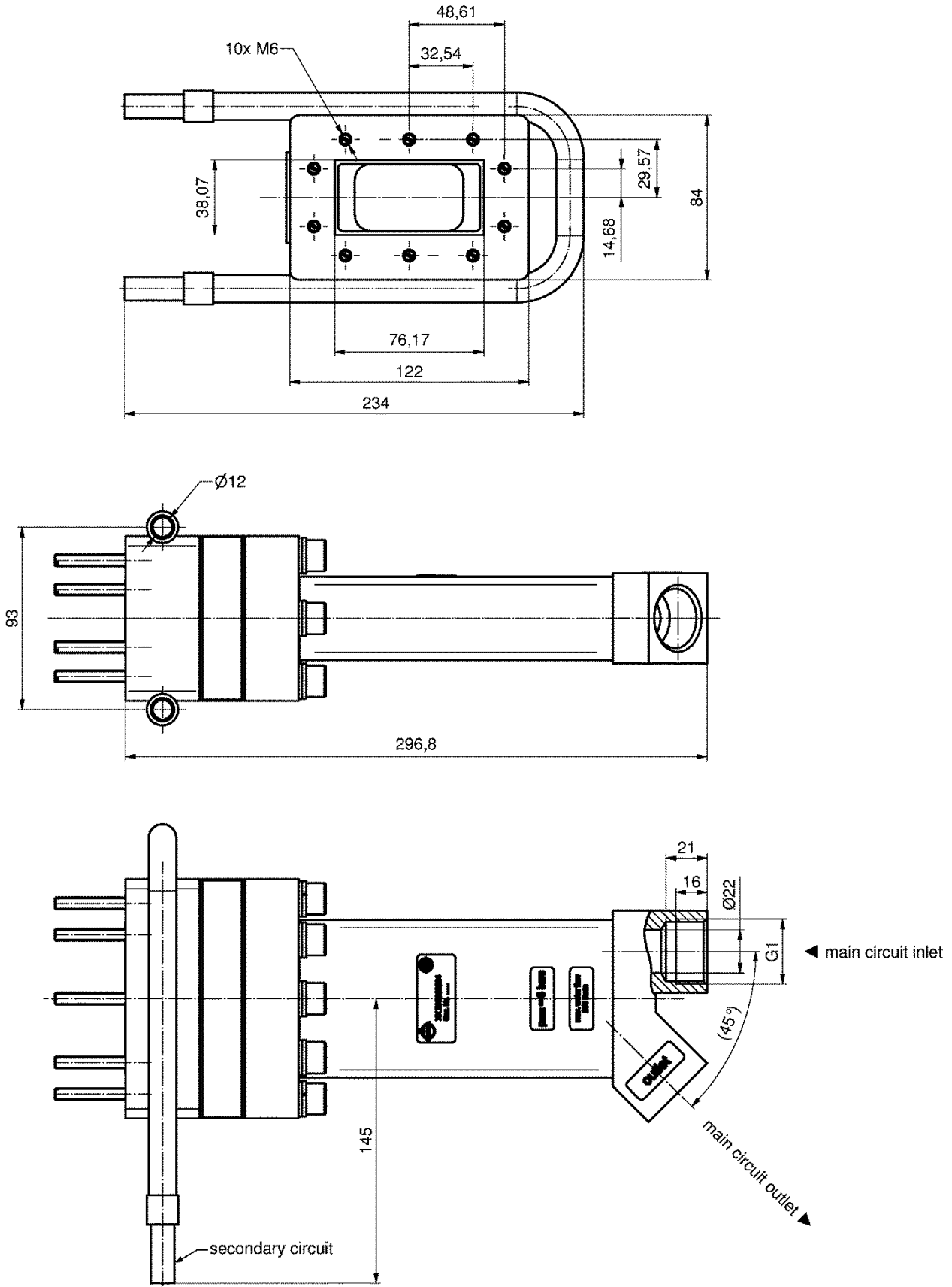
	main circuit	secondary circuit
Coolant	demineralised water (resistivity min. 4 kΩ·m)	any
Coolant input temperature, max.	40°C	
Coolant output temperature, max.	90°C	
Absolute operating pressure input, max.	6·10 ⁵ Pa (6 bar)	8·10 ⁵ Pa (8 bar)
Pressure drop, max.	4·10 ⁵ Pa (4 bar) @ 3.8 l/s flow rate	6·10 ⁵ Pa (6 bar) @ 10 l/min flow rate
Interface	2x thread G1	2x Ø12x1
Material	copper, stainless steel, aluminium oxide	copper, stainless steel

General environmental conditions

Operation	
Ambient temperature range	+18 to +35 °C
Relative humidity, max.	95% (non-condensing)
IP protection level	IP 66 per EN 60529 (all interfaces connected with appropriate gaskets)
Storage	
Ambient temperature range	-20 to +50 °C
Relative humidity, max.	95% (non-condensing)

R32 Water Load || BN 268394

Outline and dimensions (all dimensions in millimeters)



Template TD-00002 |