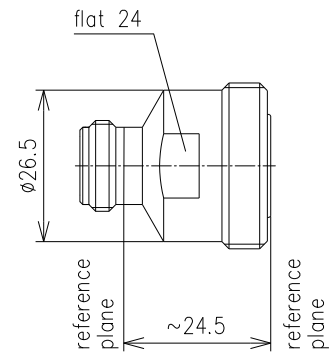


INTER-SERIES ADAPTOR TYPE 7-16 SOCKET - N SOCKET



<b>Part number</b>	<b>BN 29 40 00</b>			
Connector type	7-16 socket / N socket			
Impedance	50 $\Omega$			
Frequency range	0 - 2 GHz	2 - 3 GHz	3 - 4 GHz	4 - 8 GHz
VSWR	$\leq 1.02$	$\leq 1.04$	$\leq 1.06$	$\leq 1.12$
Intermodulation (IM3) 2x20W	$\leq -165$ dBc			
Material and surface				
Inner conductor	copper alloy		silver-plated	
Outer conductor	copper alloy		silver-plated	
Insulation	PTFE			
Degree of protection	IP68 (mated)			
Standards	IEC 61169-4, IEC 61169-16			
Weight	approx. 0.078 kg			