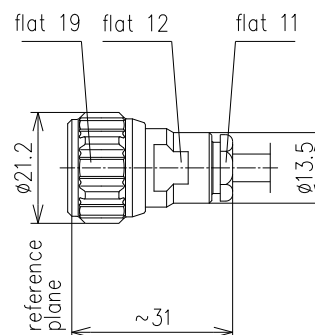


CABLE PLUG-TYPE N



|                           |   |                      |           |
|---------------------------|---|----------------------|-----------|
| <b>Part number</b>        | <b>BN 29 66 50</b>                        |                      |           |
| Connector type            | N plug                                    |                      |           |
| Version                   | clamped                                   |                      |           |
| Impedance                 | 50 Ω                                      |                      |           |
| Frequency range           | 0 - 1 GHz                                 | 1 - 2 GHz            | 2 - 5 GHz |
| VSWR                      | ≤ 1.03                                    | ≤ 1.06               | ≤ 1.11    |
| Material and surface      |   |                      |           |
| Inner conductor           | copper alloy                              | gold-plated          |           |
| Outer conductor           | copper alloy                              | silver-plated        |           |
| Other metal parts         | copper alloy                              | bright nickel-plated |           |
| Insulation                | PTFE                                      |                      |           |
| Sealing                   | silicone rubber                           |                      |           |
| Degree of protection      | IP68 (mated)                              |                      |           |
| Cable compatibility       | RG 58 C/U, RG 142 B/U, RG 223/U, RG 400/U |                      |           |
| Standards                 | IEC 61169-16                              |                      |           |
| Installation instructions | M30757                                    |                      |           |
| Weight                    | approx. 0.03 kg                           |                      |           |
| Included in delivery      | installation instructions                 |                      |           |
| Delivery status           | inner conductor attached separately       |                      |           |