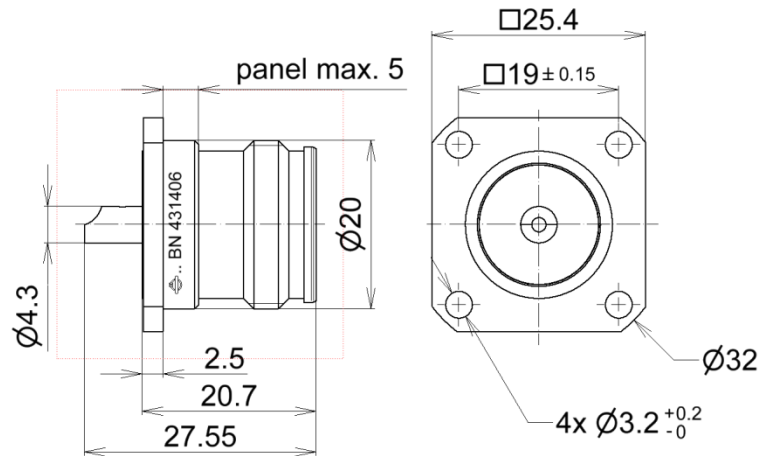


Type 4.3-10 Socket Panel Mount || BN 431406



all dimensions in millimeter

**Radio frequency characteristics**

Interface type	4.3-10 socket per IEC 61169-54
Frequency range	DC to 6 GHz
Impedance	50 $\Omega$
VSWR, max.	1.02 @ DC to 1 GHz 1.04 @ 1 to 3 GHz 1.10 @ 3 to 6 GHz
Intermodulation (IM3) 2x20 W, max.	-166 dBc

**General mechanical data**

Center conductor material / surface finish	copper alloy / silver-plated
Outer conductor material / surface finish	copper alloy / silver-plated, CuSnZn-plated
Insulation	PTFE
Version	rear inner conductor with solder cup
IP protection	IP68 per EN 60529 (interface connected with appropriate gasket)
Contact captivation torque	15 Ncm
Weight, approx.	0.04 kg

**Scope of delivery and accessories**

Scope of delivery	installation instructions
-------------------	---------------------------