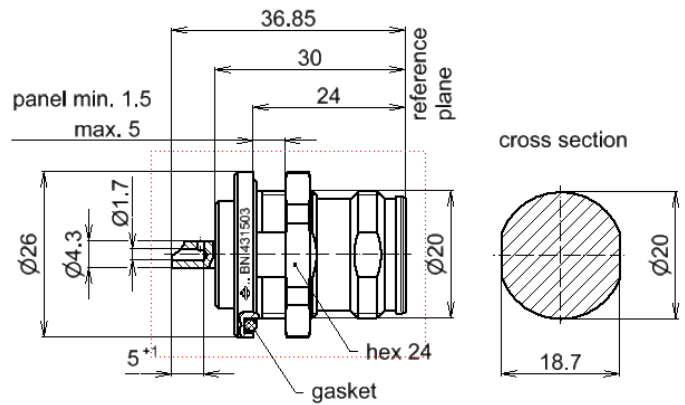


Type 4.3-10 Socket Panel Mount || BN 431503



all dimensions in millimeter

**Radio frequency characteristics**

Interface type	4.3-10 socket (50 $\Omega$ ) per IEC 61169-54
Frequency range	DC to 6 GHz
VSWR, max.	1.02 @ DC to 1 GHz
	1.04 @ 1 to 3 GHz
	1.10 @ 3 to 6 GHz
Intermodulation (IM3) @ 2x20 W, max.	-166 dBc

**General mechanical data**

Center conductor material / surface finish	copper alloy / silver-plated
Outer conductor material / surface finish	copper alloy / CuSnZn-plated
Other metal parts / surface finish	copper alloy / CuSnZn-plated
Insulation	PTFE
Sealing	silicone rubber
Version	rear inner conductor with solder cup
IP protection level	IP68 per EN 60529 (interface connected with appropriate gasket)
Contact captivation torque	15 Ncm
Weight, approx.	0.04 kg