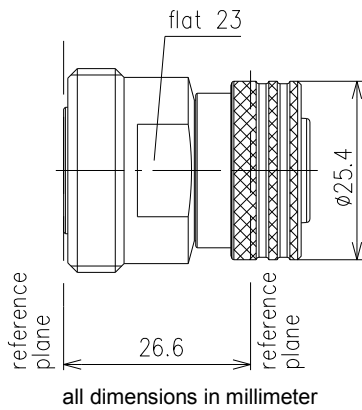


Inter-Series Adapter Type 7-16 Socket to 4.3-10 Plug || BN 432016



Interface type	7-16 socket (50 Ω) per IEC 61169-4 4.3-10 plug push-pull (50 Ω) per IEC 61169-54
VSWR, max.	1.02 @ DC to 2 GHz 1.04 @ 2 to 3 GHz 1.08 @ 3 to 6 GHz
Frequency range	DC to 6 GHz
Intermodulation (IM3) @ 2 x 20 W, max.	-165 dBc
Inner conductor material / surface finish	copper alloy / silver plated
Outer conductor material / surface finish	copper alloy / CuSnZn plated
Other metal parts / surface finish	copper alloy / bright nickel plated copper alloy / CuSnZn plated
Insulation	PTFE
Sealing	silicone rubber
IP protection level	7-16 socket: IP68 per EN 60529 (interface connected with appropriate gasket) 4.3-10 plug: IP68 per EN 60529 (barrier and mating face sealed)
Weight, approx.	85 g