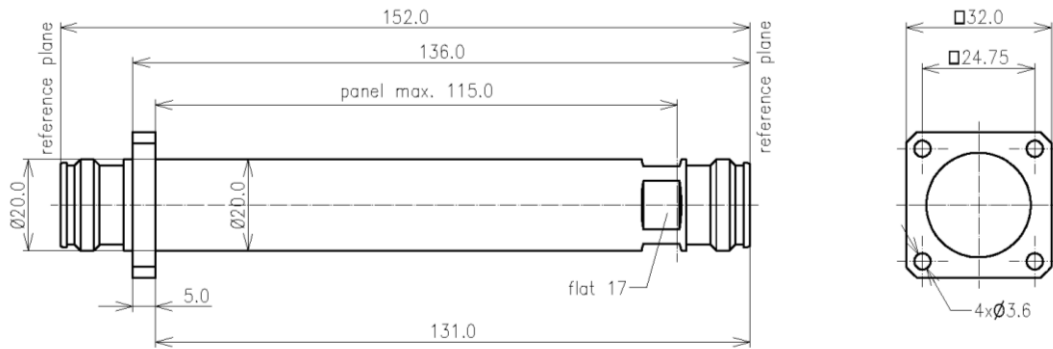


Adaptor Socket - Socket Type 4.3-10 || BN 432053



all dimensions in millimeter

Interface type	4.3-10 socket (50 Ω) per IEC 61169-54
Version	4 hole flange
VSWR, max.	1.04 @ DC to 1 GHz 1.06 @ 1 to 2.7 GHz 1.10 @ 2.7 to 3.8 GHz
Frequency range	DC to 3.8 GHz
Intermodulation (IM3) @ 2 x 20 W, max.	-165 dBc
Inner conductor material / surface finish	copper alloy / silver plated
Outer conductor material / surface finish	copper alloy / silver plated copper alloy / CuSnZn plated
Insulation	PTFE
IP protection level	IP20 per EN 60529
Weight, approx.	325 g