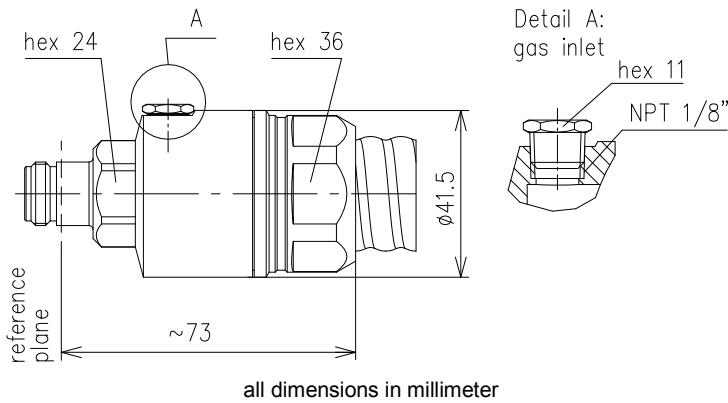


Cable Connector N socket for Air Dielectric Cable 7/8" || BN 491780



| | | |
|---|---|--------|
| Interface type | N socket (50 ohms) per IEC 61169-16 | |
| Frequency range | DC to 5.2 GHz | |
| VSWR, max. | 1.02 @ DC to 1 GHz 1.03 @ 1 to 2.2 GHz 1.08 @ 2.2 to 4 GHz 1.15 @ 4 to 5.2 GHz | |
| Peak power capability | 10 kW | |
| Average power capability | 0.6 kW @ 900 MHz | |
| Proof voltage, max. | 2 kV | |
| Inner conductor material / surface finish | copper alloy / silver plated | |
| Outer conductor material / surface finish | copper alloy / silver plated | |
| Other metal parts / surface finish | copper alloy / bright nickel plated | |
| Insulation | PTFE | |
| Sealing | silicone rubber | |
| Degree of protection | IP 68 (pressure-tight up to 4 bar / 400 kPa) | |
| Cable compatibility | CommScope | HJ5-50 |
| Handling instructions | M36267 | |
| Weight, approx. | 0.35 kg | |
| Operating temperature range | -40°C to +85°C | |
| Storage temperature range | -70°C to +85°C | |
| Gas inlet | NPT 1/8" | |
| Included in delivery | cover, sealing, installation instruction | |