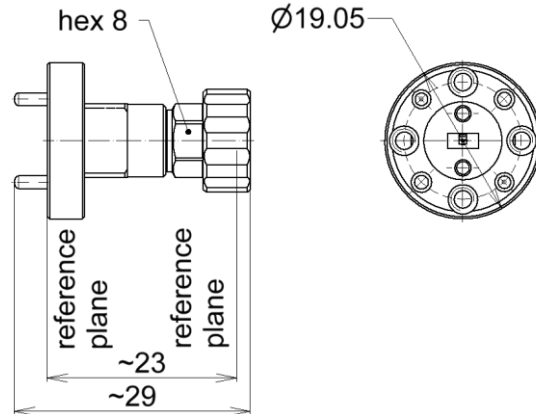


Precision Inter-series Adaptor || BN 533143



all dimensions in millimeter

Radio frequency characteristics

Interface type	R 620 compatible IEC 60153-2 (WR 15 per EIA RS-261) / 1.0 mm socket per IEC 61169-31 ruggedized
Waveguide interface connector	precision flange with anti-cocking rim compatible to IEC 60154-2 compatible to M3922/67-008 (UG-385/U)
Frequency range	50 to 75 GHz
Impedance	50 Ω
Return loss	16 dB min. (20 dB typ.) @ 50 to 75 GHz

Mechanical characteristics

Center conductor material / surface finish	CuBe age hardened / gold-plated
Outer conductor material / surface finish	copper alloy / gold-plated
Insulation	PEI
Other metallic parts / surface finish	stainless steel
Weight, approx.	0.02 kg
Marking	laser engraving

Environmental conditions

Operation	
Ambient temperature range	+18 to +28°C
Storage	
Ambient temperature range	-40 to +70°C
Relative humidity	95% (non condensing)

Scope of delivery and accessories

Scope of delivery	protective caps
-------------------	-----------------

SPINNER GmbH
 This document is proprietary to us. All rights reserved. Any use, transfer, or reproduction of this document or the know-how contained therein requires our express consent.