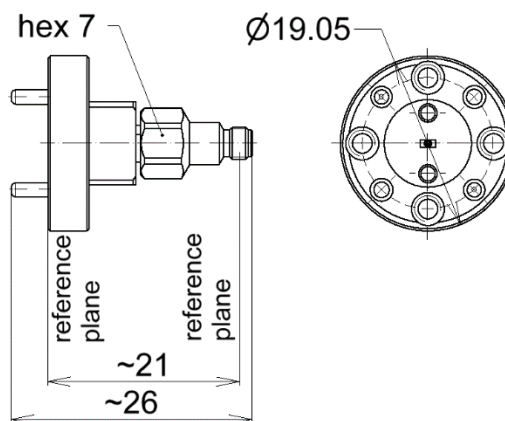


Adapter; precision, R 1.4k to 0.8 mm socket | BN 533192



all dimensions in millimeter

Radio frequency characteristics

Waveguide interface aperture	R 1.4k per IEC 60153-2 (WR 6.5, WR 7 per EIA RS-261, WM-1651 per IEEE Std 1785.1)
Waveguide interface mechanics	UFR 1.4k per IEC 60154-2 compatible to IEEE Std 1785-2a type flanges
Coaxial interface type	0.8 mm socket instrument grade per IEEE Std 287
Frequency range	110 to 165 GHz
Return loss, min. / typ.	12 dB / 15 dB
Insertion loss, max.	1.0 dB

Mechanical characteristics

Inner conductor material / surface coating	CuBe age hardened / gold-plated
Outer conductor material / surface coating	CuBe / gold-plated copper alloy / gold-plated
Other parts material / surface coating	stainless steel / none CuBe / CuSnZn-plated
Weight, approx.	20 g
Marking	laser engraving

Environmental conditions

Operation	
Ambient temperature range	+18 to +28°C
Relative humidity, max.	95% (non-condensing)
Storage	
Ambient temperature range	-40 to +70°C
Relative humidity, max.	95% (non-condensing)

Scope of delivery and accessories

Scope of delivery	protective caps, socket-head cap screws no. 4-40 UNC
-------------------	--

SPINNER GmbH
 This document is proprietary to us.
 All rights reserved. Any use, transfer, or reproduction of this document
 or the know-how contained therein requires our express consent.

Template TD-00261.dotx