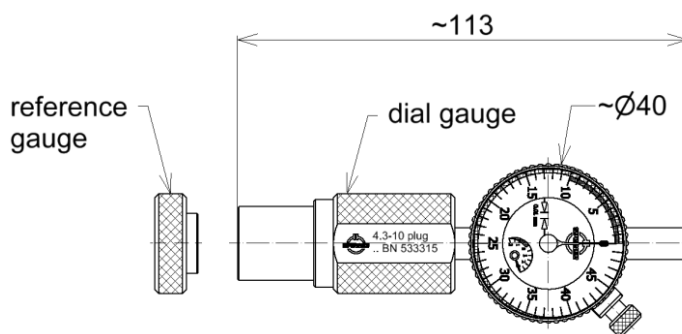


DIAL GAUGE || BN 533315



Picture similar



all dimensions in millimeters

General mechanical data

Interface type	4.3-10 plug (50 Ω) per IEC 61169-54	
Accuracy level	Grade 0	Grade 2
Range of tolerance	0.1 mm	≥ 0
Pin offset	2.9 to 2.8 mm	max. 2.9 mm
Gauge range	5 mm	
Scale marking	0.01 mm	
Measurement accuracy	0.005 mm	
Dial gauge material	stainless steel, no finish	
Reference gauge material	stainless steel, no finish	
Weight, approx.	0.3 kg	
Marking	laser engraving	
Handling instructions	M36278	
Scope of delivery	dial gauge, reference gauge, storage box, handling instructions, factory calibration certificate	

General environmental conditions

Operation	
Ambient temperature range	+18 to +28°C
Relative humidity, max.	95% (non-condensing)
IP protection level	IP40 per EN 60529
Storage	
Ambient temperature range	-30 to +50°C
Relative humidity, max.	95% (non-condensing)