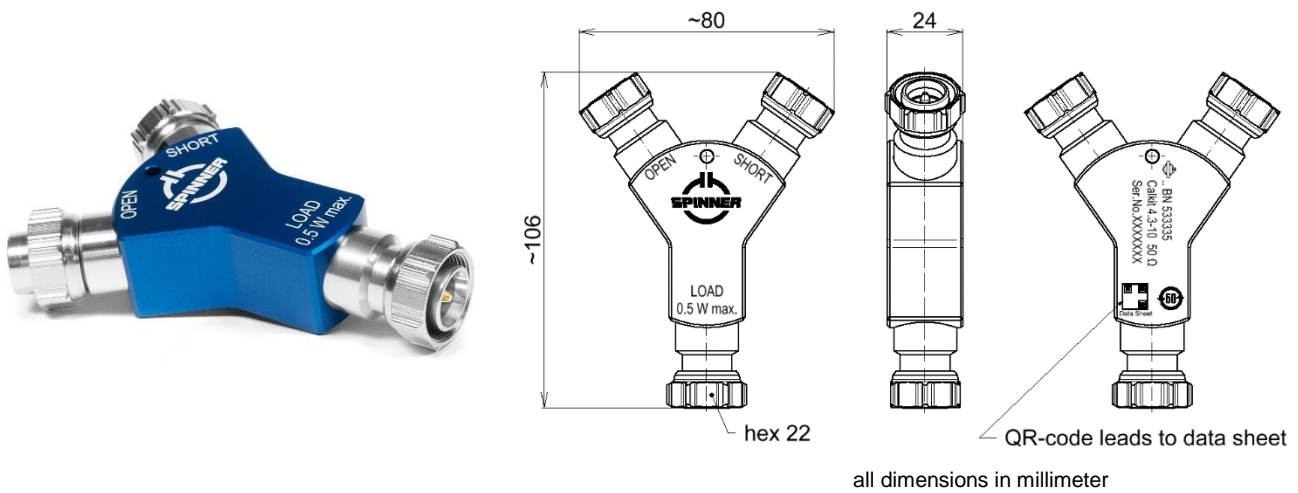


OSL Compact Calibration Kit (3-in-1) || BN 533335



Radio frequency characteristics

Interface type		4.3-10 plug per IEC 61169-54
Frequency range		DC to 7.5 GHz
OPEN	Phase deviation, max.	2 deg. @ DC to 4 GHz
		3 deg. @ 4 to 7.5 GHz
SHORT	Phase deviation, max.	1.5 deg. @ DC to 4 GHz
		2.5 deg. @ 4 to 7.5 GHz
LOAD	DC-resistance	50 Ω ± 0.5 Ω
	Return loss, min.	40 dB @ DC to 4 GHz
		35 dB @ 4 to 7.5 GHz
Power rating, max.		0.5 W

Calibration data

Format		Keysight (former Agilent) / Anritsu	Rohde & Schwarz
OPEN	C0	190 x 10 ⁻¹⁵ F	190 fF
	C1	700 x 10 ⁻²⁷ F/Hz	0.7 fF/GHz
	C2	310 x 10 ⁻³⁶ F/Hz ²	0.31 fF/(GHz) ²
	C3	18.5 x 10 ⁻⁴⁵ F/Hz ³	0.0185 fF/(GHz) ³
	Offset	95.166 ps	28.53 mm
SHORT	L0	3 x 10 ⁻¹² H	3 pH
	L1	0 x 10 ⁻²⁴ H/Hz	0 pH/GHz
	L2	0 x 10 ⁻³³ H/Hz ²	0 pH/(GHz) ²
	L3	0 x 10 ⁻⁴² H/Hz ³	0 pH/(GHz) ³
	Offset	103.738 ps	31.1 mm
Offset loss		0.753 GΩ/s	

SPINNER GmbH
 This document is proprietary to us.
 All rights reserved. Any use, transfer, or reproduction of this document
 or the know-how contained therein requires our express consent.

OSL Compact Calibration Kit (3-in-1) || BN 533335

Mechanical characteristics

Center conductor material / surface finish	CuBe age hardened, copper alloy / gold-plated
Outer conductor material / surface finish	copper alloy / CuSnZn-plated
Insulation	LCP, PTFE
Other metallic parts / surface finish	aluminium / anodised (blue) copper alloy / nickel-plated
Weight, approx.	0.26 kg
Marking	laser engraving

Component Name	Toxic or Hazardous Substances and Elements					
	Pb	Hg	Cd	Cr 6+	PBB	PBDE
Metal parts	X	O	O	O	O	O

The environmental protection use period of 50 years is valid, if the product is used as intended.

Environmental conditions

Operation	
Ambient temperature range	-10 to +55°C
Storage	
Ambient temperature range	-40 to +70°C (in line with EN 60068-2-1 and EN 60068-2-2)

Scope of delivery and accessories

Scope of delivery	protective caps, handling instructions
-------------------	--

SPINNER GmbH
 This document is proprietary to us.
 All rights reserved. Any use, transfer, or reproduction of this document
 or the know-how contained therein requires our express consent.