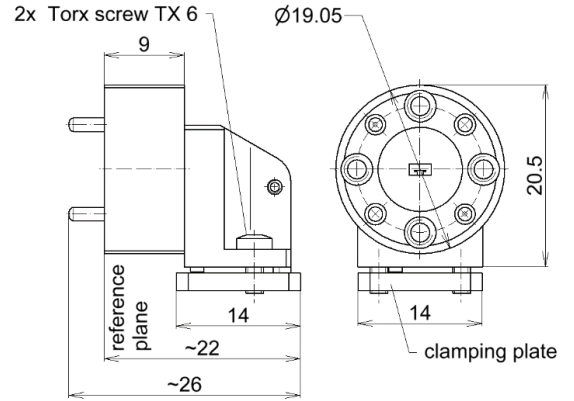


PCB-Launch Connector “SPINNER EasyLaunch” || BN 533411



all dimensions in millimeter

Technical characteristics

Waveguide interface aperture	R 900 per IEC 60153-2 (WR 10 per EIA RS-261, WM-2540 per IEEE Std 1785.1)
Waveguide interface connector	precision split-block interface with anti-cocking rim compatible to M3922/67-010 (UG-387/U-mod) type flanges
PCB interface	transmission lines according to drawings below
Characteristic impedance	50 Ω
Frequency range	75 to 110 GHz
Return loss, typ.	10 dB
Center contact PCB side material / surface finish	CuBe age hardened / gold-plated
Insulation	PEI
Case material / surface finish	copper alloy / gold-plated
Other metallic parts / surface finish	copper alloy / nickel-plated
Installation type	solderless

Environmental conditions

Operation	
Ambient temperature range	-40 to +85°C

Applicable documents

PCB-Layouts	62424
Mechanical PCB-Design	D04825-0E
Installation instruction	M36272

Scope of delivery and accessories

Scope of delivery	protective cap
Accessory (optional)	panel fixture BN B25702

SPINNER GmbH | This document is proprietary to us. All rights reserved. Any use, transfer, or reproduction of this document or the know-how contained therein requires our express consent.

Template TD-00002Y