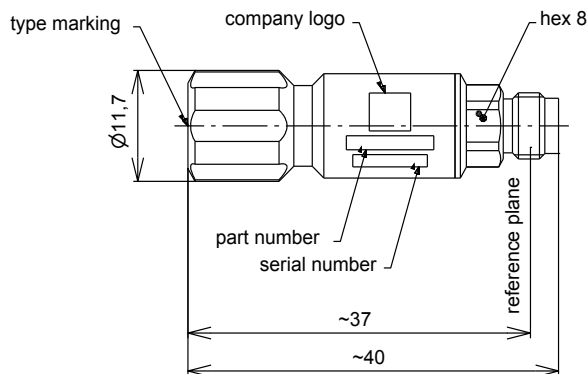


PRECISION LOAD || BN 533702R000



all dimensions in millimeter

**Radio frequency characteristics**

Interface type	1.85 mm socket per IEC 61169-32
Frequency range	DC to 67 GHz
Impedance	50 $\Omega$
DC-resistance	50 $\Omega \pm 0.5 \Omega$
Return loss, min.	36 dB @ DC to 4 GHz 31 dB @ 4 to 10 GHz 25 dB @ 10 to 26.5 GHz 22 dB @ 26.5 to 50 GHz 20 dB @ 50 to 67 GHz
Power rating, max.	0.1 W

**General mechanical data**

Center conductor material / surface finish	CuBe age hardened / gold-plated
Outer conductor material / surface finish	CuBe / gold-plated
Insulation	PMP, PEEK
Other metallic parts / surface finish	copper alloy / gold plated
Weight, approx.	0.02 kg
Marking	laser engraving

**General environmental conditions**

<b>Operation</b>	
Ambient temperature range	+18 to +28°C
<b>Storage</b>	
Ambient temperature range	-40 to +70°C
Relative humidity	0 - 95 % at 40 °C, non condensing

**Scope of delivery and accessories**

Scope of delivery	certificate of calibration, calibration data, handling instructions
-------------------	---