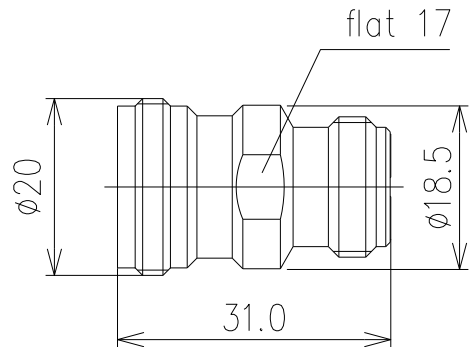


PRECISION INTER-SERIES ADAPTOR || BN 533725



all dimensions in millimeter

**Radio frequency characteristics**

Interface type	4.1-9.5 socket per IEC 61169-11 / N socket per IEC 61169-16
Frequency range	DC to 12.5 GHz
Impedance	50 $\Omega$
Return loss, min.	40 dB @ DC to 4 GHz 30 dB @ 4 to 12.5 GHz

Center conductor material / surface finish	CuBe age hardened / gold-plated
Outer conductor material / surface finish	copper alloy / gold-plated
Insulation	cross linked polystyrene
Weight, approx.	0.04 kg
Marking	laser engraving

**General environmental conditions**

<b>Operation</b>	
Ambient temperature range	+18 to +28°C
<b>Storage</b>	
Ambient temperature range	-40 to +70°C
Relative humidity	95% (non condensing)

**Scope of delivery and accessories**

Scope of delivery	test report, protective caps
-------------------	------------------------------