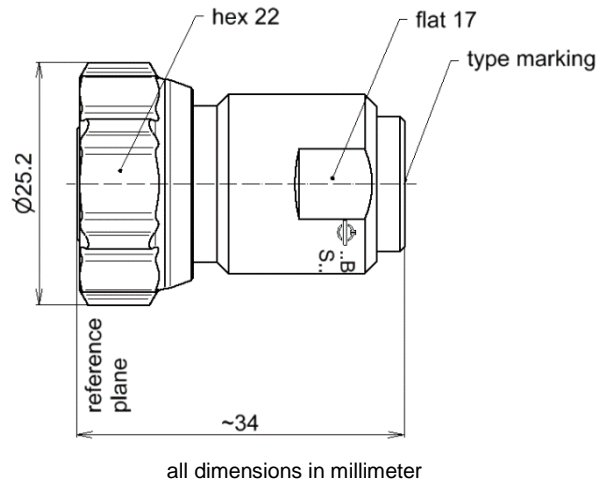


Precision Short || BN 533745



Radio frequency characteristics

Interface type	4.1-9.5 plug per IEC 60169-11
Frequency range	DC to 12.5 GHz
Impedance	50 Ω
Offset	see calibration data

Mechanical characteristics

Center conductor material / surface finish	CuBe age hardened, copper alloy / gold-plated
Outer conductor material / surface finish	copper alloy / gold-plated
Other metallic parts / surface finish	copper alloy / nickel-plated
Weight, approx.	0.06 kg
Marking	laser engraving

Environmental conditions

Operation	
Ambient temperature range	+18 to +28°C
Storage	
Ambient temperature range	-40 to +70°C
Relative humidity	95% (non-condensing)

Scope of delivery and accessories

Scope of delivery	calibration certificate, calibration data, handling instructions
-------------------	--