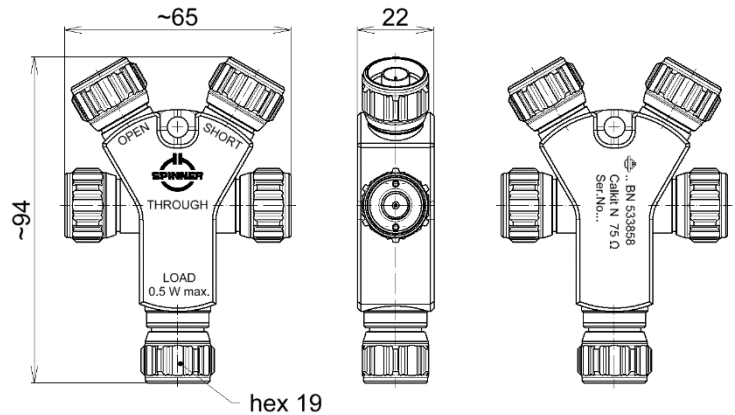


OSLT Compact Calibration Kit (4-in-1) || BN 533858R000



all dimensions in millimeter

Radio frequency characteristics

Interface type		N plug (75 ohms) per IEC 61169-16
Frequency range		DC to 3 GHz
THROUGH	Return loss, min.	34 dB @ DC to 3 GHz
	Insertion loss, max.	0.05 dB @ DC to 3 GHz
OPEN	Phase deviation, max.	2 deg. @ DC to 3 GHz
SHORT	Phase deviation, max.	1.5 deg. @ DC to 3 GHz
LOAD	DC-resistance	75 Ω ± 0.75 Ω
	Return loss, min.	36 dB @ DC to 3 GHz
	Power rating, max.	0.5 W

Calibration data

Format		Keysight / Anritsu	Rohde & Schwarz
THROUGH	Electrical delay / length	242.001 ps	72.55 mm
OPEN	C0	11.75 x 10 ⁻¹⁵ F	11.75 fF
	C1	-17310 x 10 ⁻²⁷ F/Hz	-17.31 fF/GHz
	C2	6800 x 10 ⁻³⁶ F/Hz ²	6.8 fF/(GHz) ²
	C3	-758 x 10 ⁻⁴⁵ F/Hz ³	-0.758 fF/(GHz) ³
	Offset	47.766 ps	14.32 mm
SHORT	L0	11.01 x 10 ⁻¹² H	11.01 pH
	L1	-240.9 x 10 ⁻²⁴ H/Hz	-0.2409 pH/GHz
	L2	-1644 x 10 ⁻³³ H/Hz ²	-1.644 pH/(GHz) ²
	L3	247.8 x 10 ⁻⁴² H/Hz ³	0.2478 pH/(GHz) ³
	Offset	53.604 ps	16.07 mm
Offset Loss		1.1 GΩ/s	

SPINNER GmbH
 This document is proprietary to us.
 All rights reserved. Any use, transfer, or reproduction of this document
 or the know-how contained therein requires our express consent.

OSLT Compact Calibration Kit (4-in-1) || BN 533858R000

Mechanical characteristics

Center conductor material / surface finish	CuBe, copper alloy / gold-plated
Outer conductor material / surface finish	copper alloy / CuSnZn-plated
Insulation	cross linked polystyrene, PTFE
Other metallic parts / surface finish	copper alloy / CuSnZn-plated aluminium / anodised (yellow)
Weight, approx.	0.25 kg
Marking	laser engraving

Environmental conditions

Operation	
Ambient temperature range	-10 to +55°C
Storage	
Ambient temperature range	-40 to +70°C (in line with EN 60068-2-1 and EN 60068-2-2)

Scope of delivery and accessories

Scope of delivery	certificate of calibration, protective caps, protective bag, data sheet, handling instructions
-------------------	--

SPINNER GmbH
 This document is proprietary to us.
 All rights reserved. Any use, transfer, or reproduction of this document
 or the know-how contained therein requires our express consent.