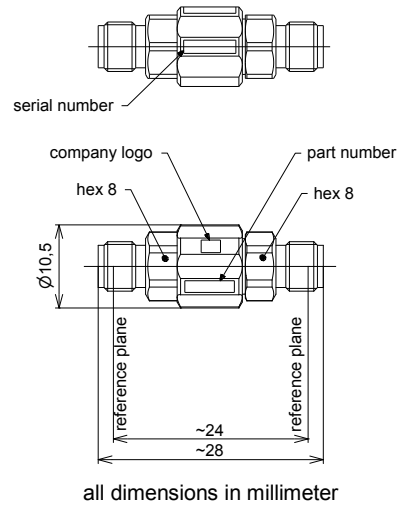


PRECISION THROUGH || BN 533908R000



Radio frequency characteristics

Interface type	2.92 mm socket / socket per IEEE Std 287
Frequency range	DC to 40 GHz
Impedance	50 Ω
Return loss, min.	33 dB @ DC to 4 GHz 30 dB @ 4 to 26.5 GHz 25 dB @ 26.5 to 40 GHz

General mechanical data

Center conductor material / surface finish	CuBe age hardened / gold-plated
Outer conductor material / surface finish	CuBe / gold-plated
Insulation	PS
Other metallic parts / surface finish	copper alloy / gold plated
Weight, approx.	0.01 kg
Marking	laser engraving

General environmental conditions

Operation	
Ambient temperature range	+18 to +28°C
Storage	
Ambient temperature range	-40 to +70°C
Relative humidity	0 - 95 % at 40 °C, non condensing

Scope of delivery and accessories

Scope of delivery	certificate of calibration, calibration data, handling instructions
-------------------	---