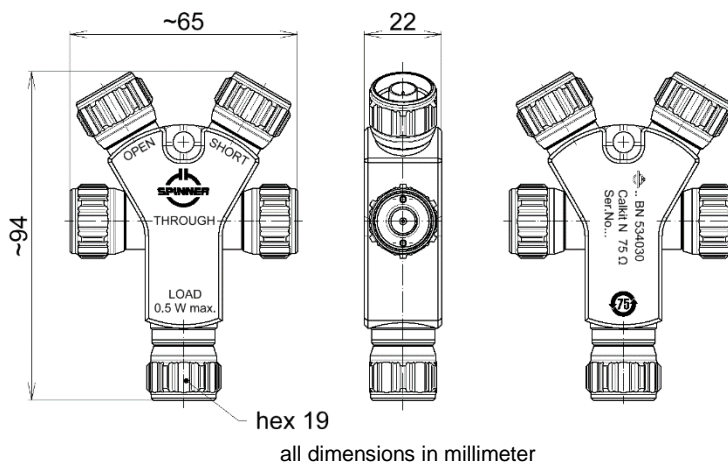


OSLT Compact Calibration Kit (4-in-1) || BN 534030



Radio frequency characteristics

Interface type		N plug (75 ohms) per IEC 61169-16
Frequency range		DC to 12 GHz
THROUGH	Return loss, min.	31 dB @ DC to 4 GHz 28 dB @ 4 to 8 GHz 23 dB @ 8 to 12 GHz
	Insertion loss, max.	$0.04 \text{ dB} \times \sqrt{f \text{ (GHz)}}$
OPEN	Phase deviation, max.	2.5 deg. @ DC to 4 GHz
		3.5 deg. @ 4 to 8 GHz
		4.5 deg. @ 8 to 12 GHz
SHORT	Phase deviation, max.	2 deg. @ DC to 4 GHz
		3 deg. @ 4 to 8 GHz
		4 deg. @ 8 to 12 GHz
LOAD	DC-resistance	$75 \Omega \pm 0.75 \Omega$
	Return loss, min.	38 dB @ DC to 4 GHz
		31 dB @ 4 to 8 GHz
		27 dB @ 8 to 12 GHz
Power rating, max.	0.5 W	

SPINNER GmbH  
 This document is proprietary to us.  
 All rights reserved. Any use, transfer, or reproduction of this document  
 or the know-how contained therein requires our express consent.

OSLT Compact Calibration Kit (4-in-1) || BN 534030

**Calibration data**

Format		Keysight (former Agilent) / Anritsu	Rohde & Schwarz
THROUGH	Electrical delay / length	242.001 ps	72.55 mm
OPEN	C0	$6 \times 10^{-15} \text{ F}$	6 fF
	C1	$1000 \times 10^{-27} \text{ F/Hz}$	1 fF/GHz
	C2	$-50 \times 10^{-36} \text{ F/Hz}^2$	$-0.05 \text{ fF}/(\text{GHz})^2$
	C3	$0 \times 10^{-45} \text{ F/Hz}^3$	$0 \text{ fF}/(\text{GHz})^3$
	Offset	47.033 ps	14.1 mm
SHORT	L0	$0 \times 10^{-12} \text{ H}$	0 pH
	L1	$0 \times 10^{-24} \text{ H/Hz}$	0 pH/GHz
	L2	$0 \times 10^{-33} \text{ H/Hz}^2$	$0 \text{ pH}/(\text{GHz})^2$
	L3	$0 \times 10^{-42} \text{ H/Hz}^3$	$0 \text{ pH}/(\text{GHz})^3$
	Offset	53.637 ps	16.08 mm
Offset loss		1.1 GΩ/s	

**Mechanical characteristics**

Center conductor material / surface finish	CuBe age hardened, copper alloy / gold-plated
Outer conductor material / surface finish	copper alloy / CuSnZn-plated
Insulation	cross linked polystyrene, PMP, PTFE
Other metallic parts / surface finish	copper alloy / CuSnZn-plated aluminium / anodised (yellow)
Weight, approx.	0.25 kg
Marking	laser engraving

Component Name	Toxic or Hazardous Substances and Elements					
	Pb	Hg	Cd	Cr 6+	PBB	PBDE
Metal parts	X	O	O	O	O	O

The environmental protection use period of 75 years is valid, if the product is used as intended.

**Environmental conditions**

<b>Operation</b>	
Ambient temperature range	-10 to +55°C
<b>Storage</b>	
Ambient temperature range	-40 to +70°C (in line with EN 60068-2-1 and EN 60068-2-2)

**Scope of delivery and accessories**

Scope of delivery	calibration certificate, protective caps, protective bag, data sheet, handling instructions
-------------------	---