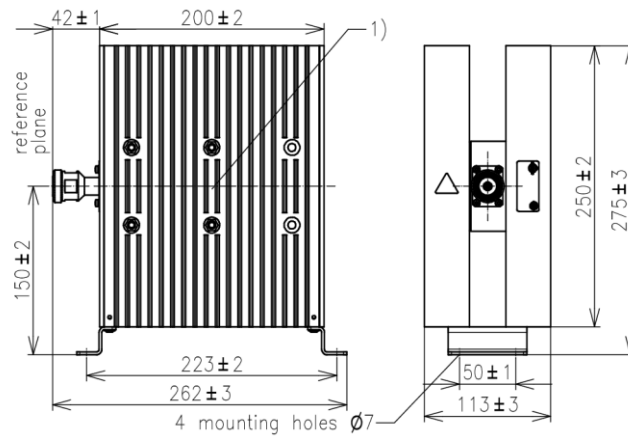
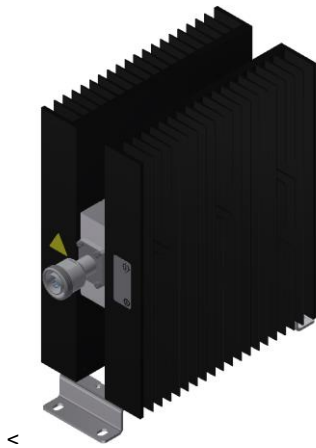


Load | BN 537754C1025

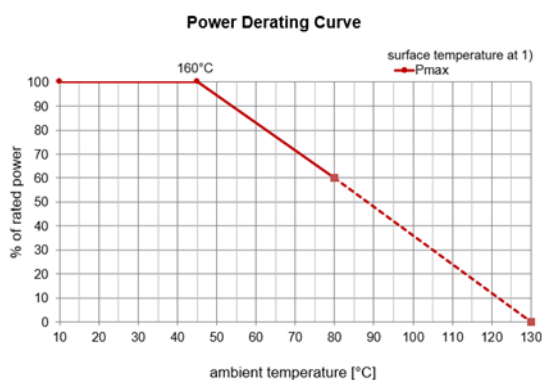


All dimensions in millimeter

Interface type	7-16 socket (50 Ω) per IEC 61169-4
Frequency range	DC to 2.2 GHz
VSWR, max.	1.08 @ DC to 1.00 GHz 1.17 @ 1.00 to 2.20 GHz
Average power rating, max.	600 W ²⁾
Peak voltage rating, max.	1.1 kV
Inner conductor material / surface finish	copper alloy / silver plated
Outer conductor material / surface finish	copper alloy / CuSnZn plated
Case material / surface finish	aluminum / no finish
Heat sink	aluminum / anodised black
Other metal parts / surface finish	CuBe age-hardened / silver plated CuBe age-hardened / no finish aluminum / no finish stainless steel / no finish
Insulation	PTFE glas fibric epoxy
Other parts	aluminum nitride (free of beryllium oxide)
IP protection level	IP50 per EN 60529
Weight, approx.	5 kg
Ambient temperature range	-40 to +45°C full power ²⁾
Altitude, max.	2300 m full power ²⁾
Operating position	cooling fins vertically

1) Measuring point for surface temperature

2) The maximum power handling is reduced with rising ambient temperatures as follows



SPINNER GmbH
 This document is proprietary to us.
 All rights reserved. Any use, transfer, or reproduction of this document
 or the know-how contained therein requires our express consent.