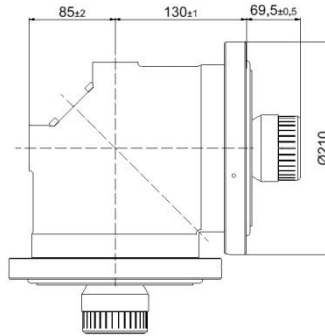
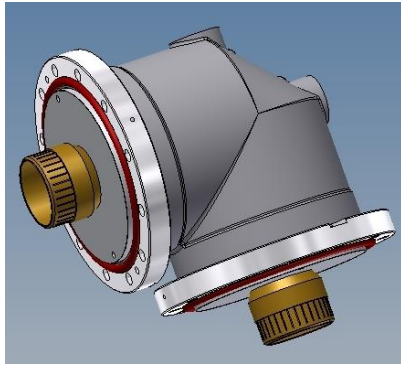


6 1/8" Elbow 90° || BN 540083C0002



Dimensions in millimeters

Interface type	2 x EIA 6 1/8" male - 50 ohms, both swivel type	
Standards	EN 122150; 339-2 IEC	
Frequency range	0 to 750 MHz	
Average power, max. *)	100 MHz 230 MHz 350 MHz 600 MHz 700 MHz 750 MHz	≤ 175 kW ≤ 116 kW ≤ 92 kW ≤ 78 kW ≤ 72 kW ≤ 67 kW
VSWR, max.	100 MHz 230 MHz 350 MHz 600 MHz 700 MHz 800 MHz	≤ 1.04 ≤ 1.04 ≤ 1.04 ≤ 1.10 ≤ 1.10 ≤ 1.15
Proof voltage	28 kV @ sea level	
Inner conductor material / surface finish	copper alloy / silver plated	
Outer conductor material / surface finish	aluminum alloy / SurTec 650 acc. to Mil-DTL 5541 F	
Insulation	ceramic C221 (acc. to EN 60672) (for use in ionizing radiation environment)	
Other metal parts	aluminum casting, stainless steel	
Surface finish	Painting on request (standard is black RAL 9005)	
Admissible axial force	acc. to EN 122150	
Weight, approx.	7 kg	
Environmental conditions	For limitations see "Environmental Conditions for Broadcast Products" TD-00060	

Conditions:

*) At 40°C ambient temperature; 1 bar inner absolute air pressure; inner conductor temperature 150°C