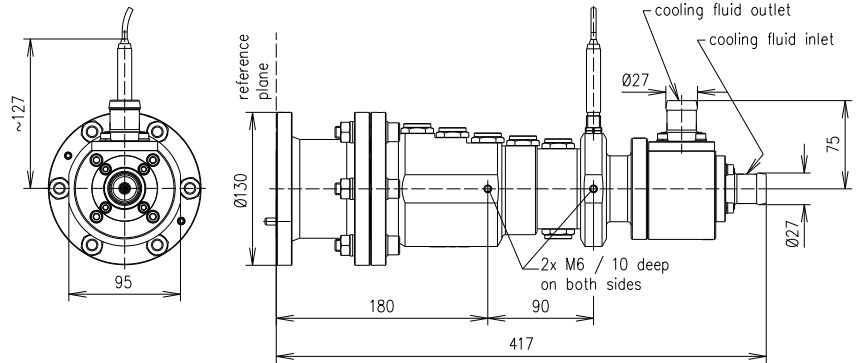


Load || BN 546418

- with integrated temperature sensor



all dimensions in millimeter

Radio frequency characteristics

Interface type	3 1/8" EIA (50 Ω) per IEC 60339-2 (4 1/2" EIA male for P ≥ 23 kW @ 470 to 860 MHz necessary; order adapter BN 715010)
Frequency range	DC to 860 MHz
Average power capability, max.	25 kW
Proof voltage, max.	17 kV
VSWR, max.	1.04 @ DC to 108 MHz or 1.04 @ 108 to 470 MHz or 1.04 @ 470 to 860 MHz or 1.08 @ DC to 860 MHz

Mechanical characteristics

Flow rate of the cooling fluid, min.	≤ 8.3 kW: Q [l/min] = 10 l/min > 8.3 kW: Q [l/min] = 1.2 * P [kW] e.g. @ 25 kW: Q [l/min] = 1.2 * 25 kW = 30 l/min see also chart
Pressure in the cooling system, max.	6 bar
Inlet temperature of the cooling fluid, max.	70 °C
Outlet temperature of the cooling fluid, max.	90 °C
Coolant interface	25 mm hose
IP protection level	IP20 per EN 60529
Operating position	as shown
Product Manual	M36310
Weight, approx.	7 kg

SPINNER GmbH | This document is proprietary to us. All rights reserved. Any use, transfer, or reproduction of this document or the know-how contained therein requires our express consent.

Template TD-00003F

Load || BN 546418

Cooling circuit conditions

Approved coolant	STAUBCO® Heat N (old name: Kühlsole N) ANTIFROGEN N DOWTHERM SR-1 or equivalent
Approved materials	aluminum, stainless steel and copper coolant must be suitable for used material pairing the load contains aluminum and stainless steel
Coolant requirements	
Chemical composition	50 Vol. % distilled water 50 Vol. % ethylene glycol corrosion inhibitor, suitable for used materials

Environmental conditions

Operation	
Ambient temperature range	-10 to +45 °C
Relative humidity, max.	95% (non-condensing)
Altitude, max.	2286 m
Storage	
Ambient temperature range	-25 to +70 °C
Relative humidity, max.	95% (non-condensing)

Temperature sensor

Power supply	5 ... 30 V DC, 100 mA
Alarm Output	5 ... 30 V / 50 mA (open collector) NC
Cable length	3 m
Current draw	10 mA

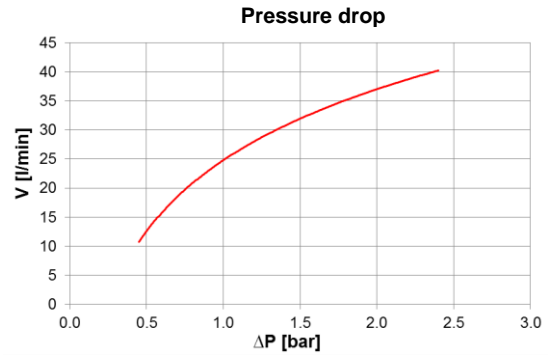
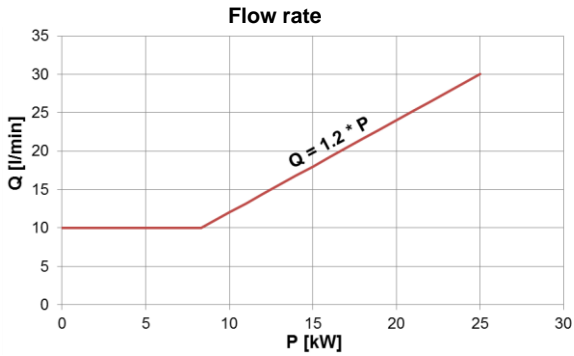
Scope of delivery and accessories

Product Manual	M36310
Coolant STAUBCO® Heat N -40 °C (recommended, not included)	
Coolant, 25 litre container	BN A75272
Hose (recommended, not included)	
Hose	BN 074469
Dimensions	inner diameter: 25 mm wall thickness: 6 mm

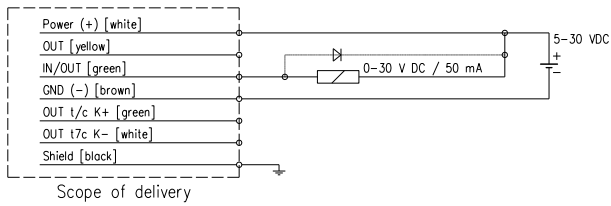
SPINNER GmbH. This document is proprietary to us. All rights reserved. Any use, transfer, or reproduction of this document or the know-how contained therein requires our express consent.

Template TD-00003F

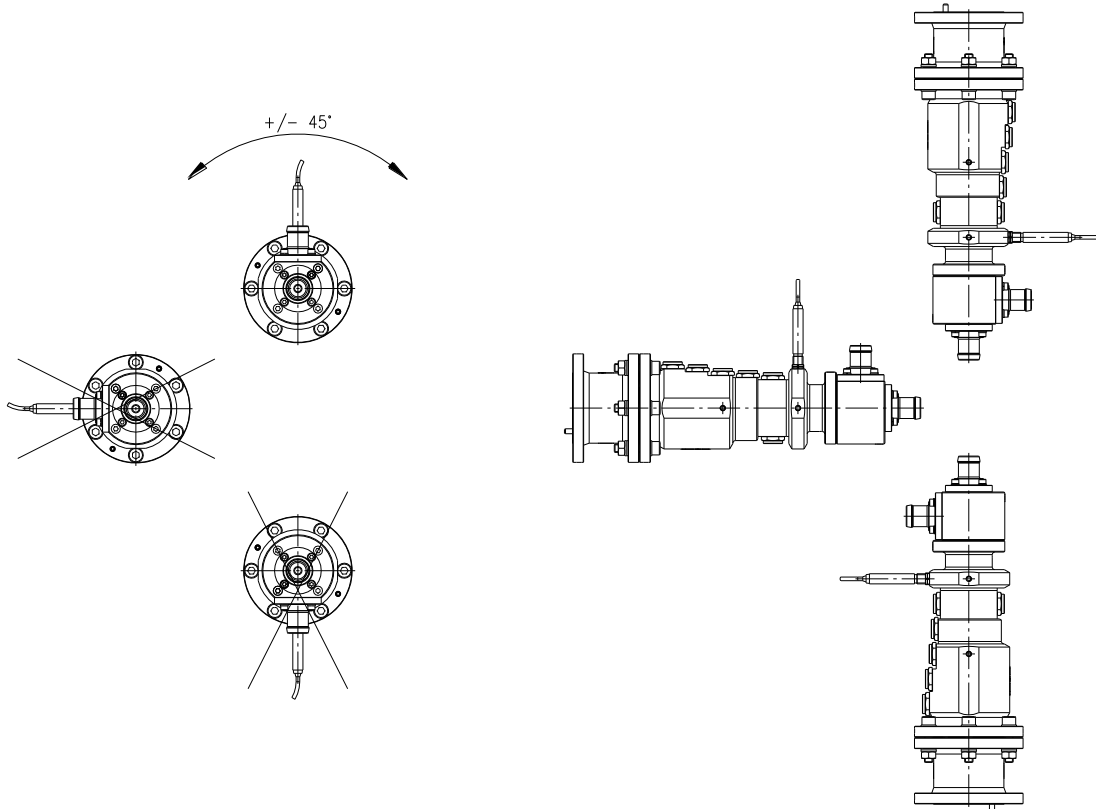
Load || BN 546418



Temperature sensor alarm output



Operating position



SPINNER GmbH
 This document is proprietary to us.
 All rights reserved. Any use, transfer, or reproduction of this document
 or the know-how contained therein requires our express consent.

Template TD-00003F