

50 kW SmartLoad | BN 546437C0400

Coaxial load with intelligent control:

- Standby function
- Pump and fan controlled as needed
- Super fast self protection
- Potential-free interlock contact
- Single phase power supply
- Side walls can be covered
- Swivel castors with double stop



(typical design)

Operating modes

RF power 0 W to approx. 500 W	cooling with pump @ idle speed, without fan *
RF power approx. 500 W to 50 kW	pump @ full speed with fan *

* Depending on the ambient temperature and the RF power applied, the pump and/or fan can switch on at any time and switch off again according to the required cooling capacity.

Radio frequency characteristics

Interface type	6 1/8" EIA (50 Ω) per IEC 60339-2, facing upwards
Frequency range	DC to 790 MHz
Average power rating, max.	50 kW
Proof voltage, max.	17 kV
VSWR, max.	1.04 @ DC to 108 MHz or 1.04 @ 108 to 470 MHz or 1.04 @ 470 to 790 MHz or 1.08 @ DC to 790 MHz

Cooling Aggregate

Mains supply:	Mains voltage Mains frequency Real power consumption Nominal current, max.	187 to 264 V, L, N, PE (or L+, L-, Ground) 50 / 60 Hz 250 W (standby), 3.0 kW (full operation) 15.5 A
Mains panel connector		male power socket, acc. IEC 60320-1 (C20)
Interlock loop connection		two-pole connector with screwlocking acc. IEC 60130-9, Co. Binder, series 581/680/682, TYP 09-0303-00-02, or at termination block inside control box
Interlock loop contact load		ES1 type acc. to IEC 62368-1 max. 42.4 V ACpk / 60 V DC max. 1 A
Heat exchanger		50 kW special SPINNER single ventilator type
Acoustic emission (for max. RF power)		sound pressure level, approx. 85 dB(A) sound power level, approx. 91 dB(A)
Product Manual		10086213
Weight, approx.		190 kg

SPINNER GmbH
This document is proprietary to us.
All rights reserved. Any use, transfer, or reproduction of this document
or the know-how contained therein requires our express consent.

Template TD-00003 | K

50 kW SmartLoad | BN 546437C0400

Environmental conditions

Operation	
Operational environment	operating sites with limited access, indoor only
Ambient temperature range	-10 to +45°C
Relative humidity, max.	95% (non-condensing)
Altitude, max.	2286 m
IP protection level	IP20 per EN 60529
Storage and transport	
Ambient temperature range	-20 to +70°C
Relative humidity, max.	95% (non-condensing)

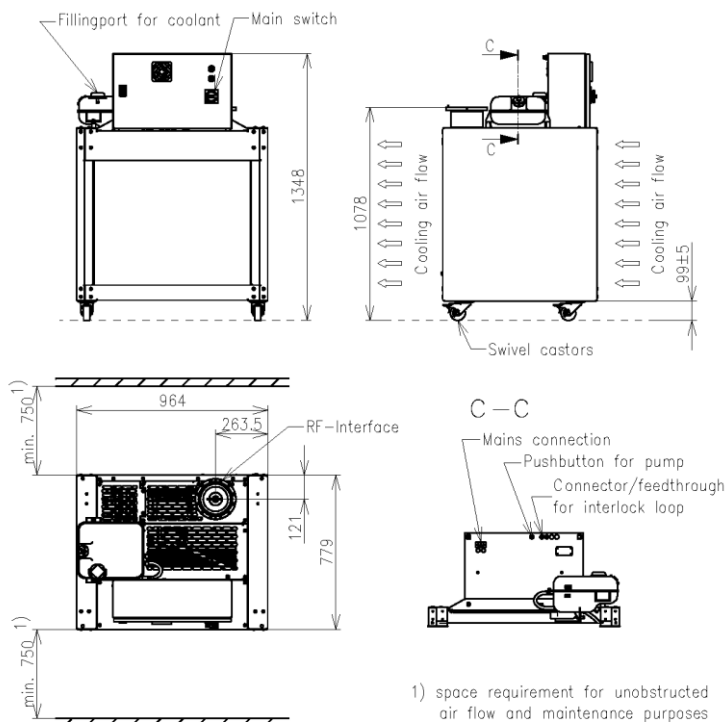
Coolant

Capacity of cooling circuit, approx.	25 l (dummy load supplied in filled state)
Chemical composition, brand	mixture of distilled water, 39 Vol. % ethylene glycol and corrosion inhibitor, ANTIFROGEN N
Density (temperature sensitive)	1.054 kg/dm ³ @ +20°C

Scope of delivery and accessories

Scope of delivery	power cord with IEC 60320-1 C19 socket (pigtail) interlock cable connector product manual material safety data sheet of the coolant	
Spare parts	power cord with IEC 60320-1 C19 socket (pigtail) interlock cable connector coolant 20 l canister ANTIFROGEN N 39% glycol	BN A77310 BN 102964 BN 39463A

Outline (all dimensions in millimeter)



SPINNER GmbH
This document is proprietary to us.
All rights reserved. Any use, transfer, or reproduction of this document
or the know-how contained therein requires our express consent.

SPINNER GmbH

Template TD-00003 | K