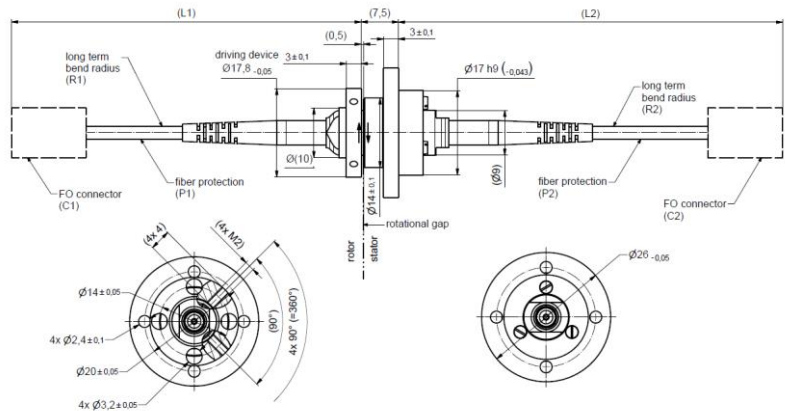
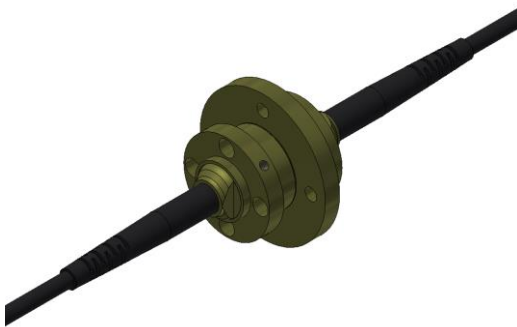


Rotary Joint || BN 549383C0117



all dimensions in millimeter

**Fiber optic channel characteristics**

Channels	1 CH	
Channel designation	1	
Fiber type	Singlemode E9 / 125 µm	
Side	Rotor	Stator
FO connector (C1 / C2)	ST-UPC	ST-UPC
Fiber protection (P1 / P2)	cable 3 mm	cable 3 mm
Fiber length (L1 / L2)	1500 ± 100 mm	1500 ± 100 mm
Long term bend radius, min. (R1 / R2)	60 mm	60 mm
Wavelength	1310 nm / 1550 nm	
Average power capability, max.	200 mW / 23 dBm	
Return loss, min. / typ.	40 dB / 50 dB	
Insertion loss, max.	1.5 dB	
Insertion loss variation over rotation, max.	1.0 dB	

Rotary Joint || BN 549383C0117

**Mechanical characteristics**

Rotation speed, max.	3000 rpm
Life, min.	200 x 10 <sup>6</sup> revolutions
Torque (room temperature), max.	0.06 Nm @ rotation
Interface loads, max.	no loads allowed
Case material	copper alloy, aluminum alloy, corrosion resistant
Case surface finish	no finish
IP protection level	IP54 per EN 60529 (all interfaces connected with appropriate gaskets)
Weight, approx.	0.05 kg
Marking	laser engraving (SPINNER logo)

**Environmental conditions**

<b>Operation</b>	
Ambient temperature range	-40 °C to +85 °C
Relative humidity, max.	95% (non-condensing)
<b>Storage</b>	
Ambient temperature range	-40 °C to +85 °C
Relative humidity, max.	95% (non-condensing)

**Applicable documents**

Technical information	"Rotary Joints – Glossary", Technical Document TD-00021, Spinner GmbH
-----------------------	---