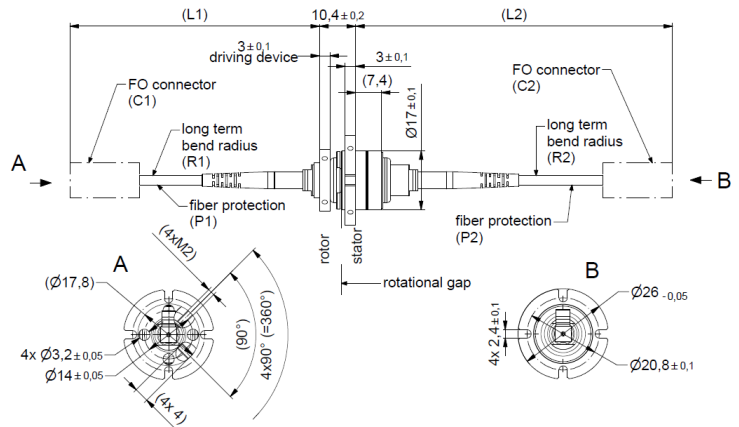
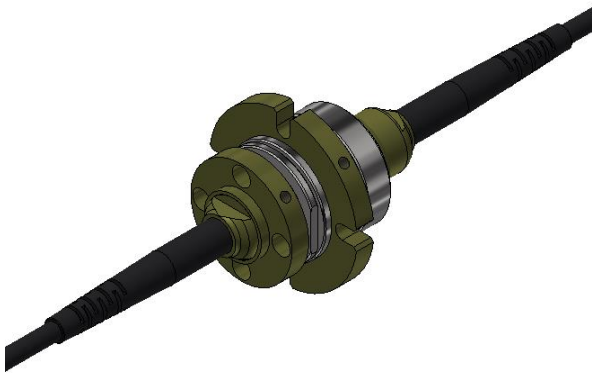


Rotary Joint || BN 549389C0102



all dimensions in millimeter

Fiber optic channel characteristics

Channels	1 CH	
Channel designation	1	
Fiber type	Singlemode E9 / 125 µm	
Side	Rotor	Stator
FO connector (C1 / C2)	LC-APC	LC-APC
Fiber protection (P1 / P2)	3 mm cable	3 mm cable
Fiber length (L1 / L2)	1500 ±150 mm	1500 ±150 mm
Long term bend radius, min. (R1 / R2)	30 mm	30 mm
Wavelength	1310 nm / 1550 nm	
Average power capability, max.	200 mW / 23 dBm	
Return loss, min. / typ.	50 dB / 55 dB	
Insertion loss, max./ typ.	2.0 dB / 1.0 dB	
Insertion loss variation over rotation, max. / typ.	1.0 dB / 0.5 dB	

Rotary Joint || BN 549389C0102

Mechanical characteristics

Rotating speed, max.	30 rpm
Life, min.	200 x 10 ⁶ revolutions
Torque (room temperature), max.	0.1 Nm @ rotation
Interface loads, max.	no loads allowed
Case material	Stainless steel, Arcap AP 1D
Case surface finish	no finish
IP protection level	IP65 per EN 60529 (all interfaces connected with appropriate gaskets)
Weight, approx.	0.06 kg
Marking	laser engraving (SPINNER logo)

Environmental conditions

Operation	
Ambient temperature range	-40 °C to +85 °C
Relative humidity, max.	99 %
Storage	
Ambient temperature range	-40 °C to +85 °C
Relative humidity, max.	99 %

Applicable documents

Technical information	"Rotary Joints – Glossary", Technical Document TD-00021, Spinner GmbH
-----------------------	---