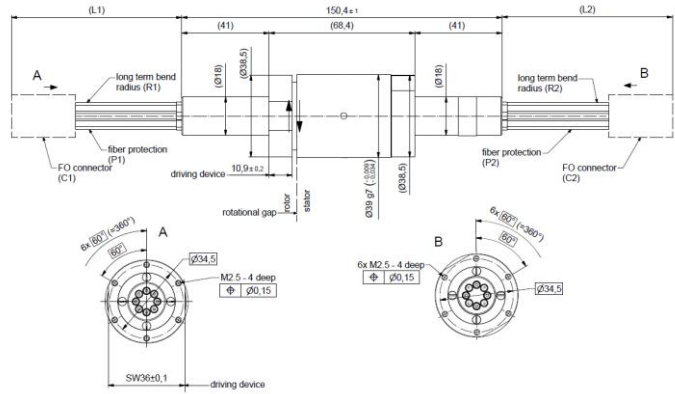
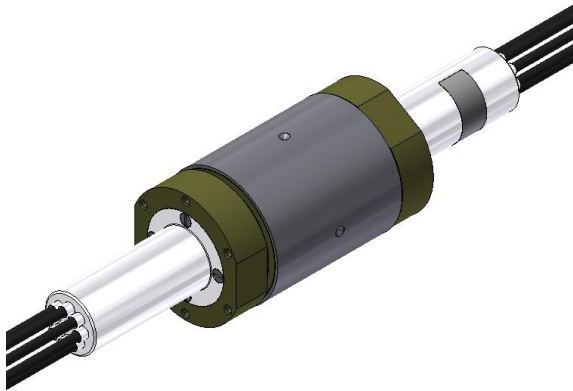


Rotary Joint || BN 549594C0401



all dimensions in millimeter

Fiber optic channel characteristics

Channels	4 CH	
Channel designation	1 to 4	
Fiber type	Singlemode E9 / 125	
Side	Rotor	Stator
FO connector (C1 / C2)	ST-UPC	ST-UPC
Fiber protection (P1 / P2)	cable 3 mm	cable 3 mm
Fiber length (L1 / L2)	500 ⁺⁵⁰ mm	500 ⁺⁵⁰ mm
Long term bend radius, min. (R1 / R2)	30 mm	30 mm
Wavelength	1310 nm / 1550 nm	
Average power capability, max.	200 mW / 23 dBm	
Return loss, min. / typ.	45 dB / 50 dB	
Insertion loss, max.	CH 1 to 2: 2.0 dB CH 3 to 4: 3.5 dB	
Insertion loss variation over rotation, max.	1.5 dB	
Cross talk attenuation, min.	50 dB (between all channels)	

Rotary Joint || BN 549594C0401

Mechanical characteristics

Rotating speed, max. / nominal	150 rpm / 100 rpm
Life, min.	200 x 10 ⁶ revolutions
Torque (room temperature), max.	0.15 Nm @ rotation
Interface loads, max.	±0.4 Nm bending moment
Case material	stainless steel, copper alloy, aluminum alloy, corrosion resistant
Case surface finish	no finish
IP protection level	IP65 per EN 60529 (all interfaces connected with appropriate gaskets)
Weight, approx.	0.9 kg
Marking	adhesive label (SPINNER logo)

Environmental conditions

Operation	
Ambient temperature range	-40 °C to +85 °C
Relative humidity, max.	99%
Storage	
Ambient temperature range	-40 °C to +85 °C
Relative humidity, max.	99%

Applicable documents

Technical information	"Rotary Joints – Glossary", Technical Document TD-00021, Spinner GmbH
-----------------------	---