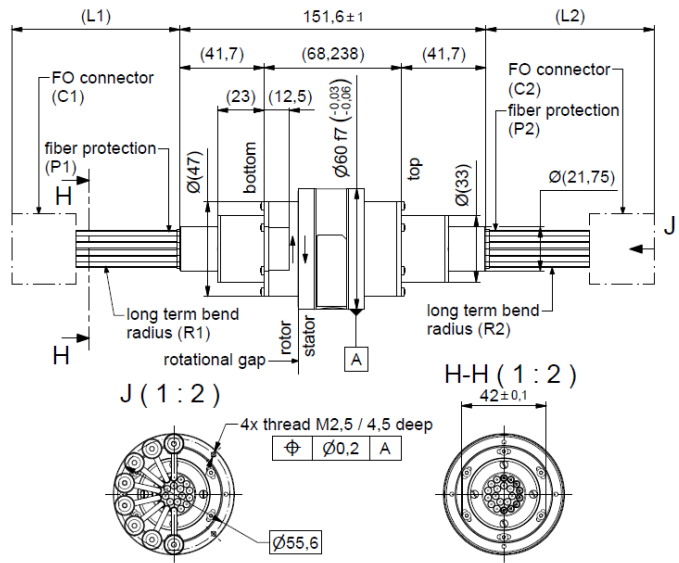
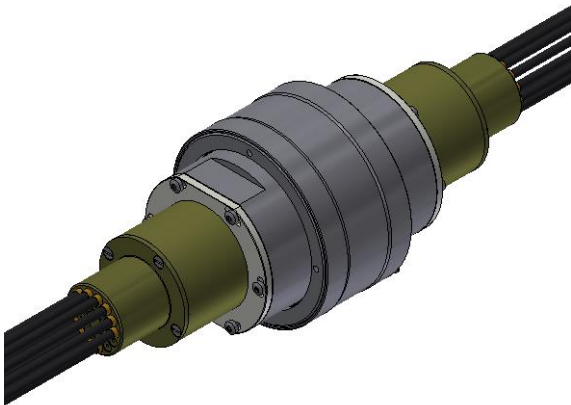


Rotary Joint || BN 549748C1002



all dimensions in millimeter

Fiber optic channel characteristics

Channels	10 CH	
Channel designation	1 to 10	
Fiber type	Multimode G50 / 125 μm	
Side	Rotor	Stator
FO connector (C1 / C2)	LC-PC	LC-PC
Fiber protection (P1 / P2)	cable 3 mm	cable 3 mm
Fiber length (L1 / L2)	350 <sup>±50</sup> mm	350 <sup>±50</sup> mm
Long term bend radius, min. (R1 / R2)	30 mm	30 mm
Wavelength	850 nm / 1300 nm	
Average power capability, max.	10 mW / 10 dBm	
Insertion loss, max.	3.5 dB	
Insertion loss variation over rotation, max.	1.5 dB	
Cross talk, min.	50 dB (between all channels)	

SPINNER GmbH  
 This document is proprietary to us.  
 All rights reserved. Any use, transfer, or reproduction of this document  
 or the know-how contained therein requires our express consent.

Template TD-00002U

## Rotary Joint || BN 549748C1002

### Mechanical characteristics

Rotating speed, max. / nominal	300 rpm
Life, min.	200 x 10 <sup>6</sup> revolutions
Torque (room temperature), max.	0.15 Nm @ rotation
Interface loads, max.	±0.4 Nm bending moment
Case material	stainless steel and copper alloy, corrosion resistant
Case surface finish	no finish
IP protection level	IP50 per EN 60529 (all interfaces connected with appropriate gaskets)
Weight, approx.	1.5 kg
Marking	adhesive label (SPINNER logo)

### Environmental conditions

<b>Operation</b>	
Ambient temperature range	-40 °C to +85 °C
Relative humidity, max.	95% (non-condensing)
<b>Storage</b>	
Ambient temperature range	-40 °C to +85 °C
Relative humidity, max.	95% (non-condensing)

### Applicable documents

Technical information	"Rotary Joints – Glossary", Technical Document TD-00021, Spinner GmbH
-----------------------	---

SPINNER GmbH  
 This document is proprietary to us.  
 All rights reserved. Any use, transfer, or reproduction of this document  
 or the know-how contained therein requires our express consent.

Template TD-00002U