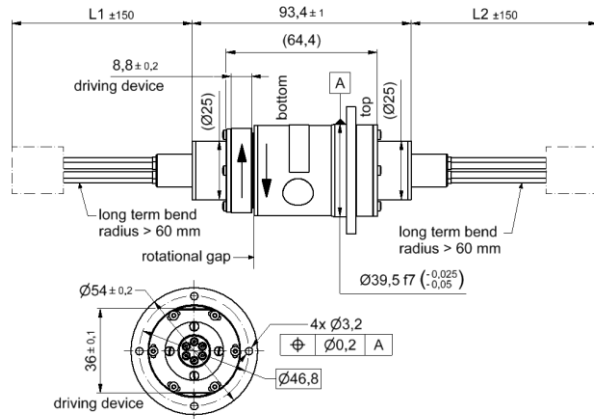


Rotary Joint || BN 549760C0602



all dimensions in millimeter

**Fiber optic channel characteristics**

Channels	6 CH
Channel designation	1 to 6
FO connector / material	ST - PC / ceramic
Fiber type	Multimode G50 / 125 µm / 900 µm buffer / cable 2.7 mm
Fiber length (L1 / L2)	1500 mm / 1500 mm
Wavelength	850 nm / 1300 nm
Average power capability, max.	10 mW / 10 dBm
Insertion loss, max.	3.5 dB
Insertion loss variation over rotation, max.	1.5 dB
Cross talk, min.	50 dB (between all channels)

## Rotary Joint || BN 549760C0602

**Mechanical characteristics**

Rotating speed, max. / nominal	150 rpm / 100 rpm
Life, min.	20 x 10 <sup>6</sup> revolutions <sup>F02)</sup>
Torque (room temperature), max.	0.15 Nm @ rotation
Interface loads, max.	±0.4 Nm bending moment
Case material	stainless steel and copper alloy, corrosion resistant
Case surface finish	no finish
IP protection level	IP50 per EN 60529 (all interfaces connected with appropriate gaskets)
Weight, approx.	0.7 kg
Marking	adhesive label

<sup>F02)</sup> up to 200 x 10<sup>6</sup> revolutions with dedicated environmental conditions.

**Environmental conditions**

<b>Operation</b>	
Ambient temperature range	-40 °C to +85 °C
Relative humidity, max.	95% (non-condensing)
<b>Storage</b>	
Ambient temperature range	-40 °C to +85 °C
Relative humidity, max.	95% (non-condensing)

**Applicable documents**

Technical information	"Rotary Joints – Glossary", Technical Document TD-00021, Spinner GmbH
-----------------------	---