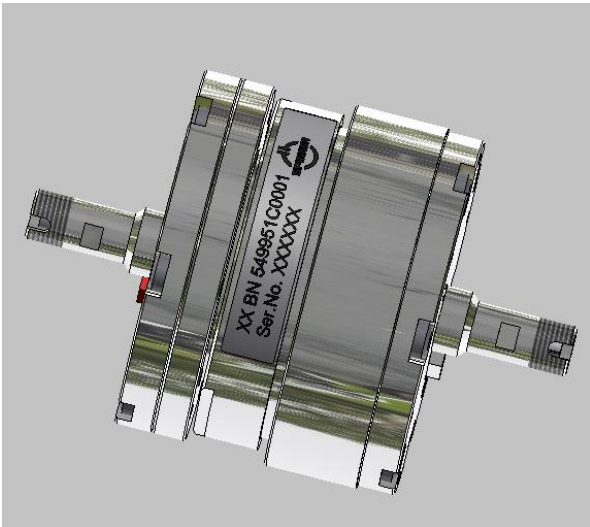


Dual Channel Rotary Joint || BN 549951C0001



Annex: 549951C0001-0E Issue A  
 Product manual M36018  
 Application note: TD-00021

**Fiber Optic Channel Characteristics**

Interface type / material	FC / PC - adapter / copper alloy
Fiber type	E9/125 singlemode
Wavelength	1310 nm / 1550 nm
Return loss, min. / typ.	30 dB / 37 dB *) ****)
Insertion loss, max.	8 dB **) ***) ****)
Insertion loss variation over rotation, max.	3 dB **) ***) ****)
Optical power, max.	200 mW / 23 dBm

\*) Measurement method acc. to standard IEC 61300-3-6 method 1.  
 \*\*) Measurement method acc. to standard IEC 61300-3-4 insertion method (B).  
 \*\*\*) Based on SFP+ BIDI EOLP-BI1696-12ADL & EOLP-BI1696-12DAL Series from "eoptolink" which offers 12 dB power budget  
 \*\*\*\*) All connectors have to be cleaned

**DC-Power Transmission Channel Characteristics**

Interface type DC-Input Recommended external connector	B03B-XASK-1 XAP-03V-1	Pin1: 12 V <sub>DC</sub> Pin2: 0 V <sub>DC</sub> Pin3: NC
Interface type DC-Output Recommended external connector	B03B-XASK-1 XAP-03V-1	Pin1: NC Pin2: 0 V <sub>DC</sub> Pin3: 12 V <sub>DC</sub>
Input Voltage	10.8 to 14.4 V DC	Power Supply has to be a SELV type acc. to IEC60950-1 The current must be externally limited to 5 A
Output Voltage	12 V DC ±3% *)	
Output Current, continuous	2 A	Over full temperature range
Output Voltage Ripple, max.	80 mV	

Template TD-00002 |

Dual Channel Rotary Joint || BN 549951C0001

Efficiency, typ.	85%	@ full load
Applied standards	DIN EN 55022 DIN EN 61000-4-2 DIN EN 61000-4-3 DIN EN 61000-4-4 DIN EN 61000-4-6	Radio disturbance characteristics (B) ESD immunity RF immunity, radiated Transient / burst immunity RF immunity, conducted
Applicable EU Directive	EMC Directive 2004/108/EC	

\*) Output Voltage is compatible to "Emergent" camera HS4000

**General mechanical data**

Rotating speed, max.	3000 rpm
Life, min.	200 x 10 <sup>6</sup> revolutions
Starting torque, max.	5 Ncm
Torque during rotation, max.	5 Ncm
Axial load mounting plane on output side, max.	±10 N
Radial load on mounting plane on output side, max. (during rotation)	±50 N
Case material	aluminum alloy / steel
Case surface finish	chromate conversion coat per MIL-DTL-5541 / nickel
Weight, 2pprox..	0.6 kg (without protective elements)
Marking	adhesive label

**General environmental conditions**

<b>Operation</b>	
Operating altitude above sea level max.	2000m
Ambient temperature range	-20 to +71°C
Case temperature, max.	+100°C
Relative humidity, max.	95% (non-condensing)
IP protection level	IP40 per EN 60529
Shock	Typ. 30 g / 11 ms acc. to MIL-STD-810G
<b>Storage</b>	
Ambient temperature range	-40 to 85°C
Relative humidity, max.	95% (non-condensing)