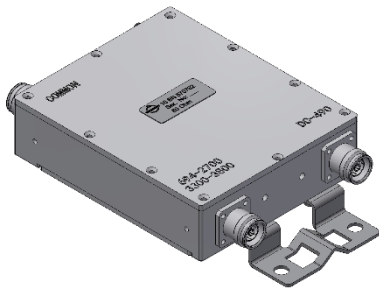
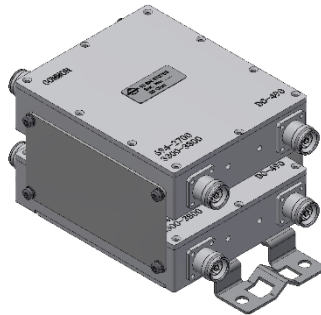


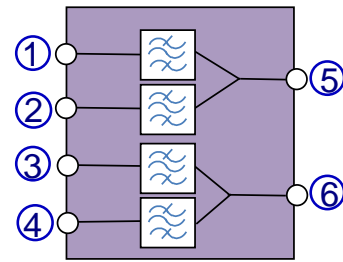
Diplexer DC - 490 MHz / 694 - 2700 & 3300 - 3800 MHz



Single Unit



Double Unit



Block diagram

Electrical characteristics

Part number	BN 570762	BN 570763
Version	Single	Double
Frequency range Port 1,3 Port 2,4	DC - 490 MHz 694 - 2700 & 3300 - 3800 MHz	
Insertion loss Port 1,2 -> Port 5 Port 3,4 -> Port 6	≤ 0.3 dB	
VSWR	≤ 1.25	
Isolation Port 1 <-> Port 2 Port 3 <-> Port 4	≥ 50 dB	
Passive intermodulation (IM3), 3rd order @ 2 x 20W	≤ -155 dBc; typical -160 dBc N/A @ DC - 490 MHz	
DC-by-pass Port 1 → Port 5 / Port 3 → Port 6 Port 2 → Port 5 / Port 4 → Port 6	Max. 1A per input max. 60V DC (AISG Standard, 2.0, § 6.4) N/A	
Impedance	50 Ohm	
Power Rating	500 W (CW) max. per input port	

Mechanical characteristics

Connectors	4.3-10 female	
Dimensions, approx. (Including brackets and connectors)	128 x 224.5 x 57.5 mm (Width x Depth x Height)	128 x 224.5 x 117.5 mm (Width x Depth x Height)
Weight, approx.	2.1 kg	4.5 kg
Wall / Mast mounting	Part of delivery	

Environmental conditions

Class. of environmental conditions	ETSI EN 300019-1-1 Class 1.2 ETSI EN 300019-1-2 Class 2.3 ETSI EN 300019-1-4 Class 4.1E
Degree of protection	IP 65 (Outdoor)
Operation Ambient temperature range	-40 °C to +65 °C
Storage Ambient temperature range	-40 °C to +85 °C
Relative humidity, max.	95% (non-condensing)

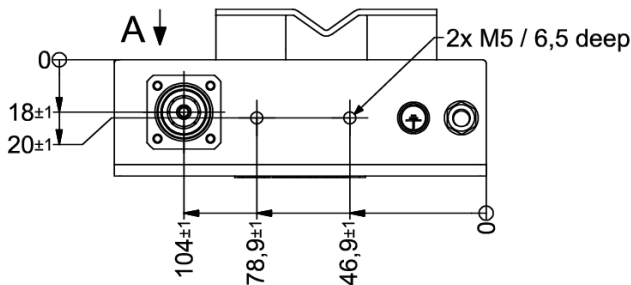
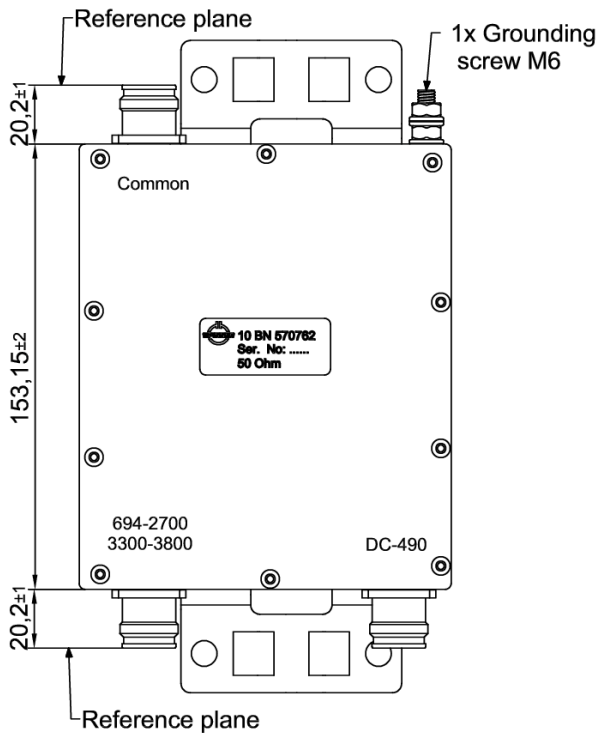
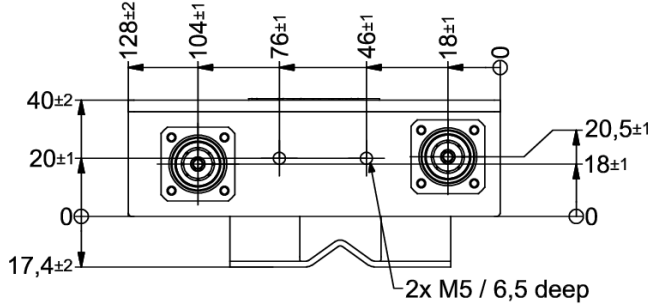
SPINNER GmbH
 This document is proprietary to us.
 All rights reserved. Any use, transfer, or reproduction of this document
 or the know-how contained therein requires our express consent.

Template TD-00002Y

Diplexer DC - 490 MHz / 694 - 2700 & 3300 - 3800 MHz

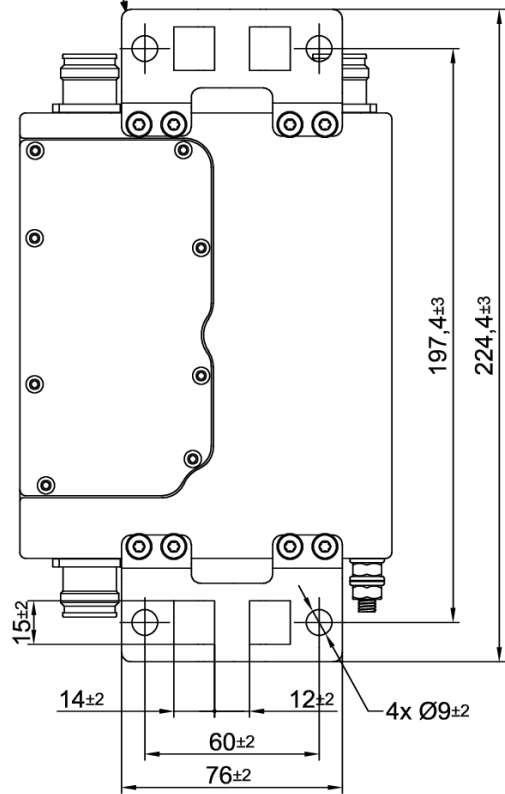
Outline (all dimensions in millimeter)

BN 570762



A (1 : 2)

wall/mast-mounting kit (part of delivery) BN B30750



Standard:

4.3-10 female (50 ohms): IEC 61169-54

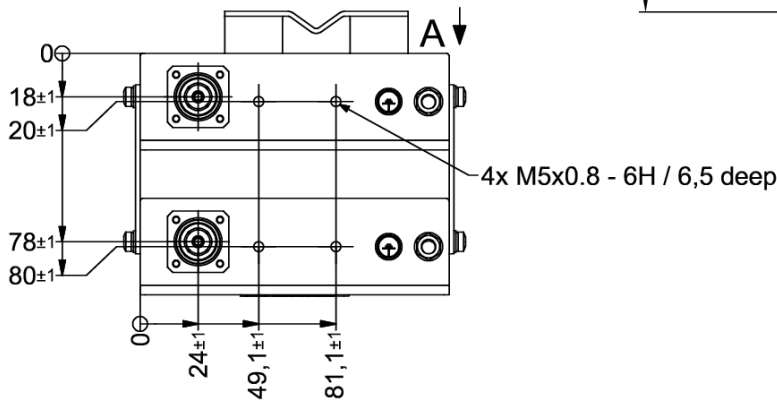
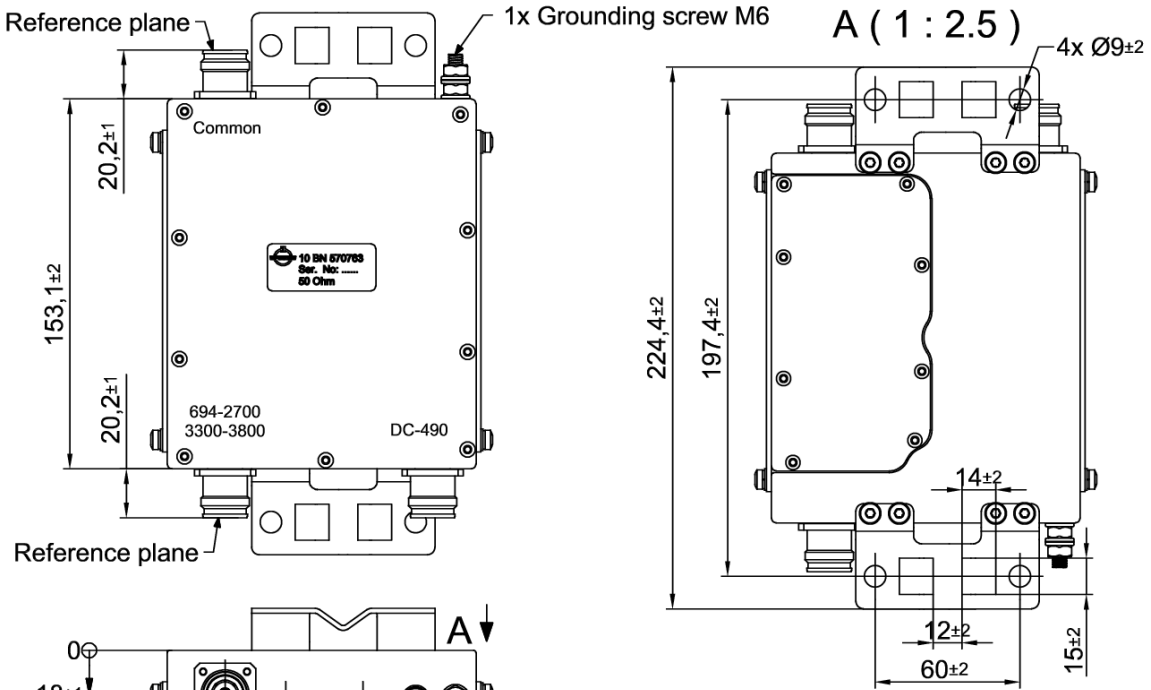
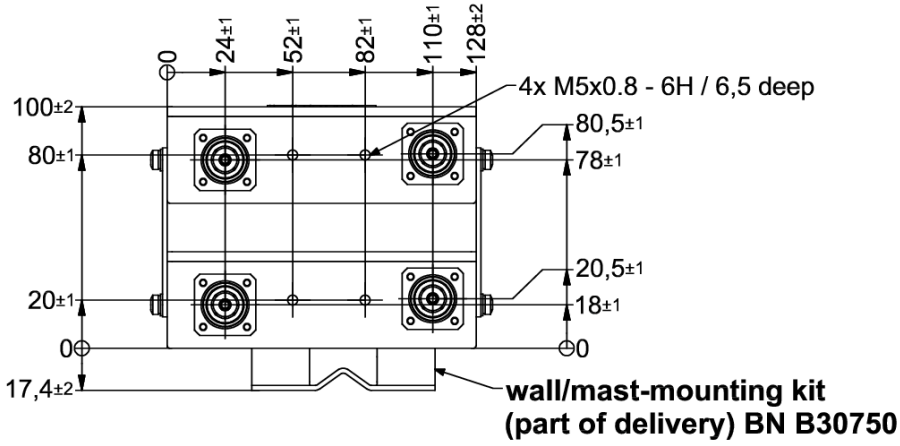
modifications reserved!

SPINNER GmbH
This document is proprietary to us.
All rights reserved. Any use, transfer, or reproduction of this document
or the know-how contained therein requires our express consent.

Template TD-00002Y

Diplexer DC - 490 MHz / 694 - 2700 & 3300 - 3800 MHz

BN 570763



Standard:

4.3-10 female (50 ohms): IEC 61169-54

modifications reserved!

SPINNER GmbH
This document is proprietary to us.
All rights reserved. Any use, transfer, or reproduction of this document
or the know-how contained therein requires our express consent.

Template TD-00002Y