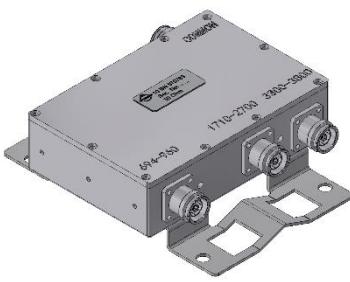
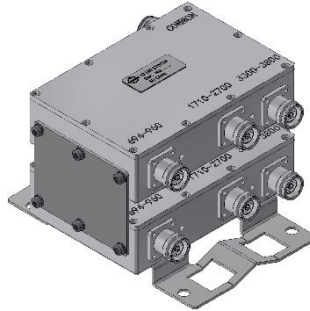


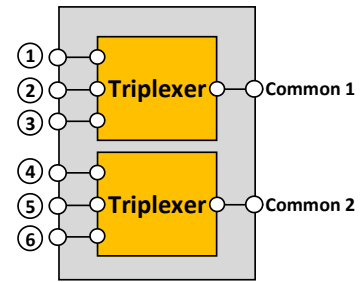
Triplexer 694-960 / 1710-2700 / 3300-3800MHz



Single Unit



Double Unit



block diagram

Electrical characteristics

Part number	BN 570783		BN 570784	
Version	Single		Double	
Frequency range	Port 1,4	Port 2,5	Port 3,6	
		694-960 MHz	1710-2700 MHz	3300-3800 MHz
Insertion loss	≤ 0.5 dB			
VSWR	≤ 1.25			
Isolation	≥ 50 dB			
Passive intermodulation (IM3), 3rd order @ 2 x 20W	≤ -155 dBc @ 694-2700MHz			
Impedance	50 Ohm			
Power Rating	300 W (CW) max. per input port			

Mechanical characteristics

Connectors	4.3-10 female		
Dimensions, approx. (Without connectors)	170 x 128 x 47 mm (Width x Height x Depth)	170 x 128 x 107 mm (Width x Height x Depth)	
Weight, approx.	3 kg	6 kg	
Colour	Grey (RAL 7047)		
Wall / mounting brackets	Part of delivery		

Environmental conditions

Class. of environmental conditions	ETSI EN 300019-1-1 Class 1.2 ETSI EN 300019-1-2 Class 2.3 ETSI EN 300019-1-4 Class 4.1E
Degree of protection	IP 65 (Outdoor)
Operation Ambient temperature range	-45 °C to +45 °C
Storage Ambient temperature range	-40 °C to +85 °C
Relative humidity, max.	95% (non-condensing)

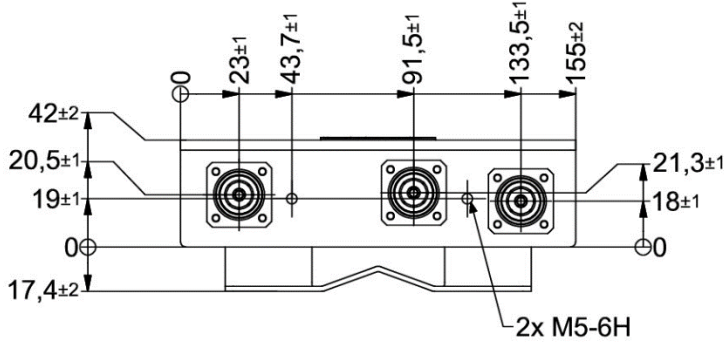
SPINNER GmbH
 This document is proprietary to us.
 All rights reserved. Any use, transfer, or reproduction of this document
 or the know-how contained therein requires our express consent.

Template TD-00002Y

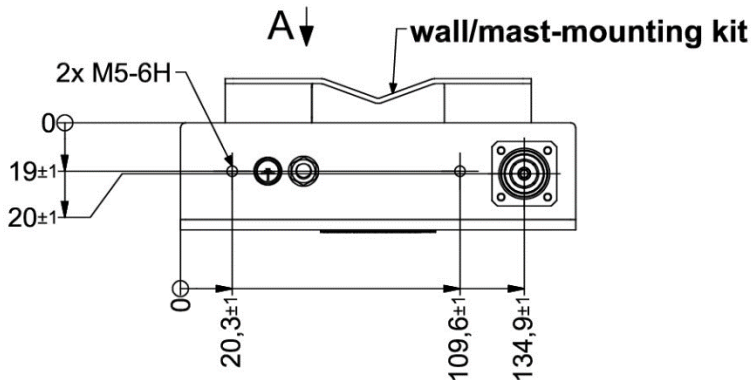
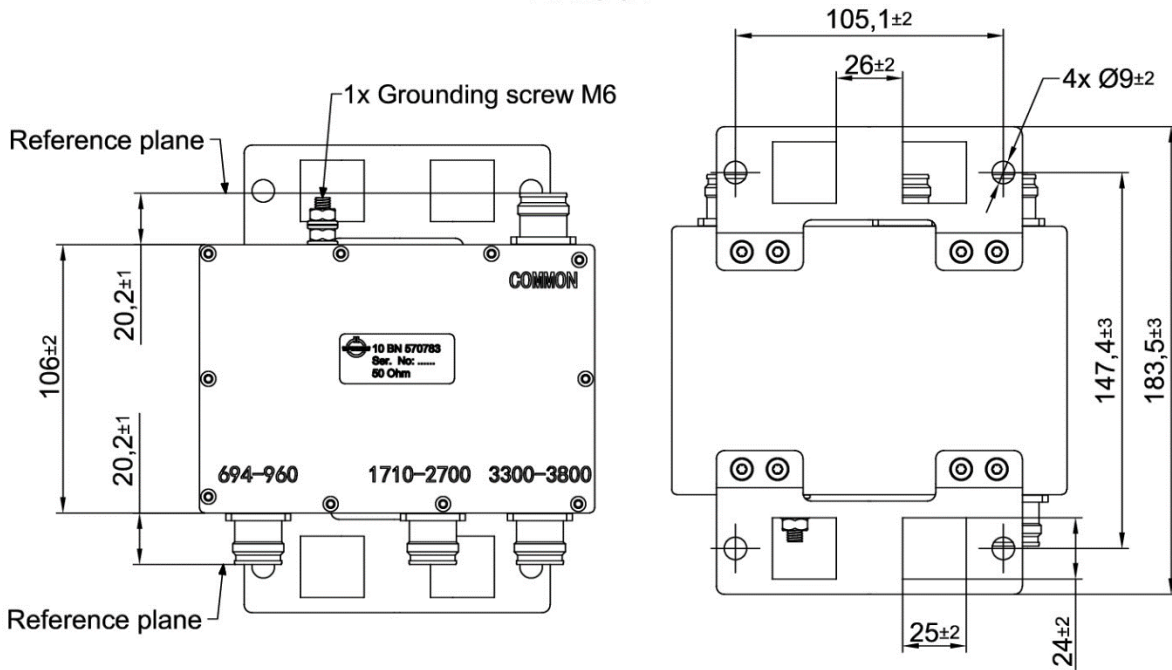
Triplexer 694-960 / 1710-2700 / 3300-3800MHz

Outline (all dimensions in millimeter)

BN 570783



A (1 : 2.5)



Standard:

4.3-10 female (50 ohms): IEC 61169-54

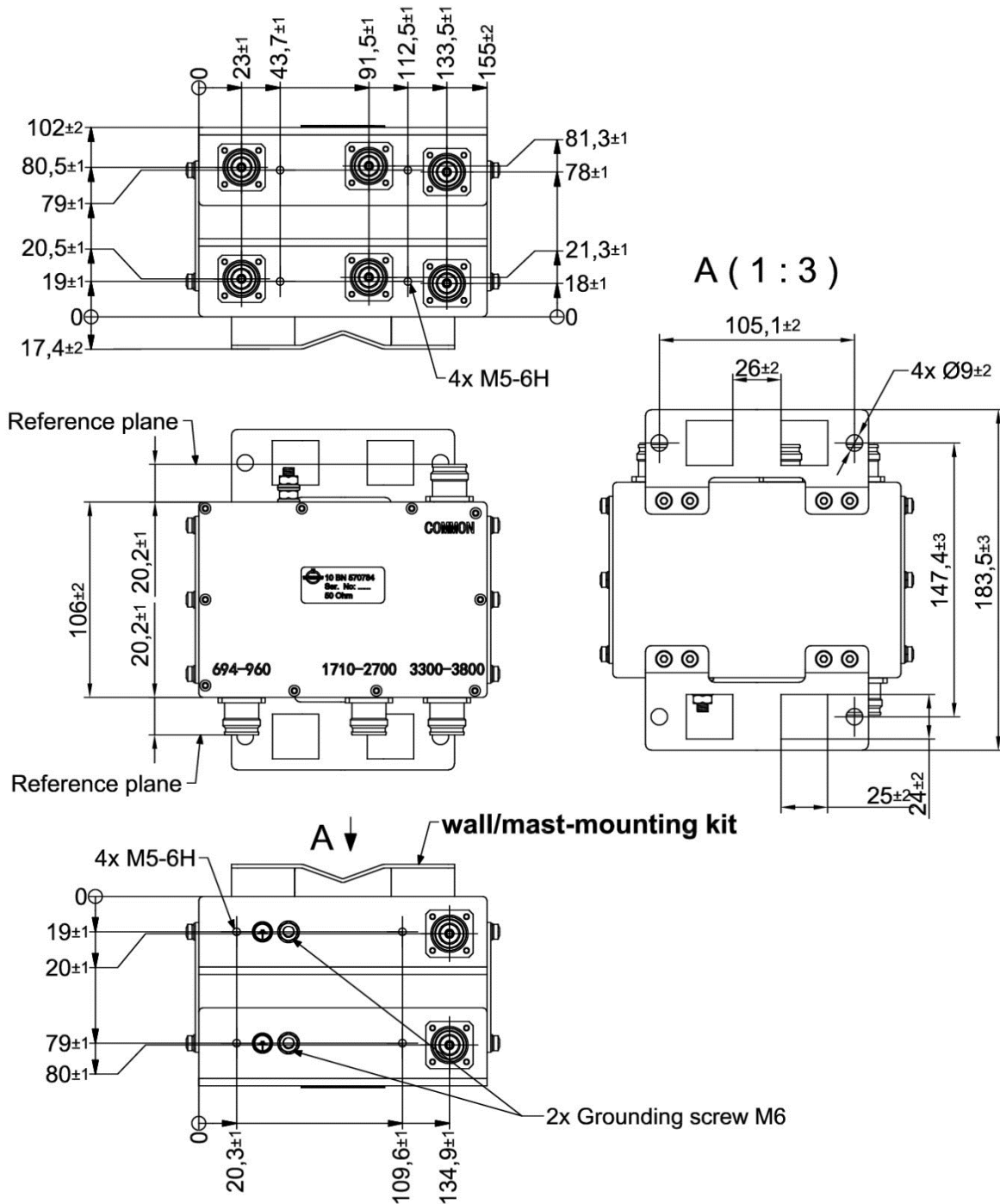
modifications reserved!

SPINNER GmbH
This document is proprietary to us.
All rights reserved. Any use, transfer, or reproduction of this document
or the know-how contained therein requires our express consent.

Template TD-00002Y

Triplexer 694-960 / 1710-2700 / 3300-3800MHz

BN 570784



Standard:
4.3-10 female (50 ohms): IEC 61169-54

modifications reserved!

SPINNER GmbH
This document is proprietary to us.
All rights reserved. Any use, transfer, or reproduction of this document
or the know-how contained therein requires our express consent.

Template TD-00002Y