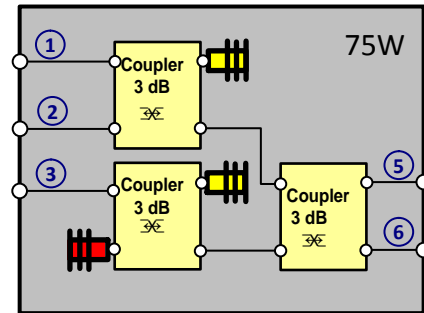


### Coupler Unit



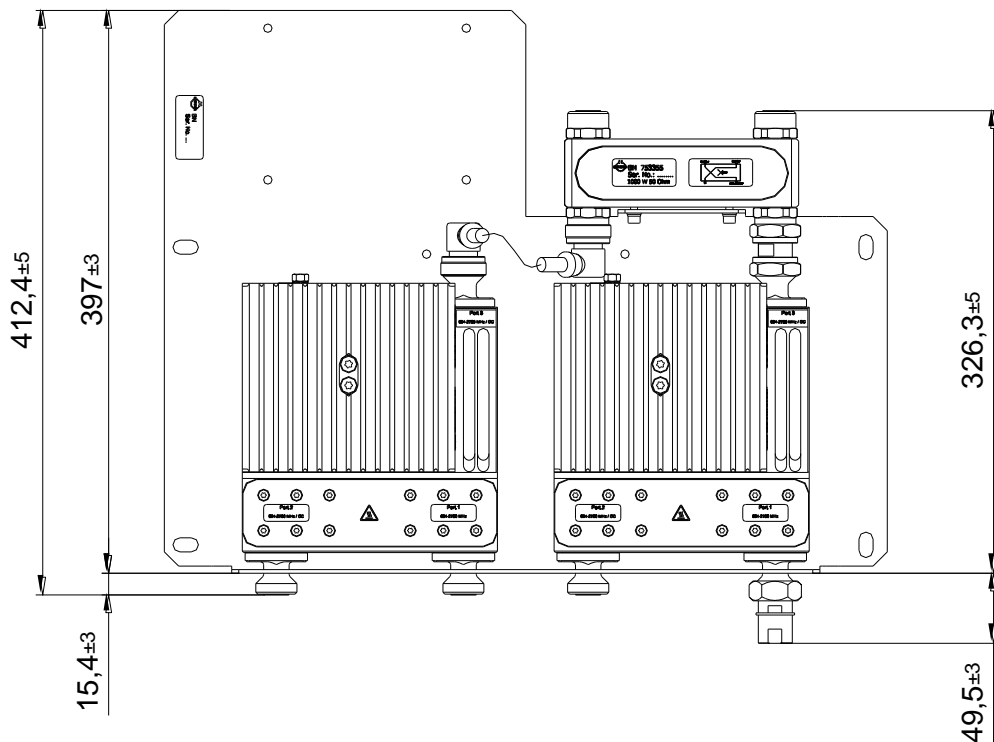
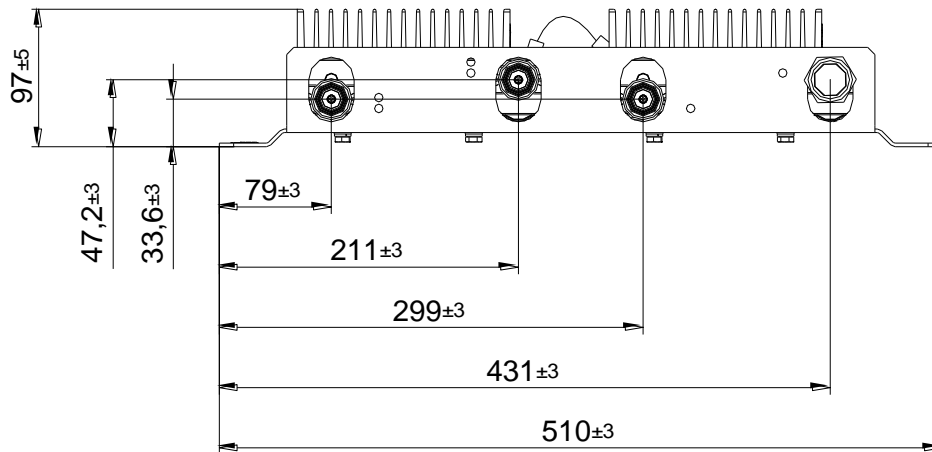
not binding



block diagram

<b>Part number</b>	<b>BN 573386</b>	
Connectors	7-16 socket (50 Ohms)	
Frequency range	Range 1	694 - 800 MHz
	Range 2	800 - 2700 MHz
Insertion loss	Port 1 → Port 5, 6	≤ 6.5 dB
	Port 2 → Port 6	≤ 6.5 dB
	Port 3 → Port 5	≤ 6.5 dB
	Port 3 → Port 6	≤ 6.5 dB
Isolation	Port 2 → Port 5	Range 1 ≤ 7.1 dB Range 2 ≤ 6.7 dB
	Port 1 ↔ 2	≥ 25 dB
Isolation	Port 1 ↔ 3	≥ 40 dB
	Port 2 ↔ 3	≥ 40 dB
	VSWR	≤ 1.2
Test voltage	500 V (without loads)	
Power rating	Port 1, 2, 3	75 W CW max.
IM – value	≤ -159 dBc	
3rd order @ 2 x 20 W		
Special feature	DC-by-pass   2.5 A AISG conform (Port 1 → Port 6 and Port 3 → Port 5)	
Degree of protection	IP 20	
Environmental conditions	ETSI EN 300019-1-1 Class 1.2	
	ETSI EN 300019-1-2 Class 2.3	
	ETSI EN 300019-1-3 Class 3.3	
Temperature range	-5 °C– +55 °C	
Weight	8.4 kg	

Dimensions:



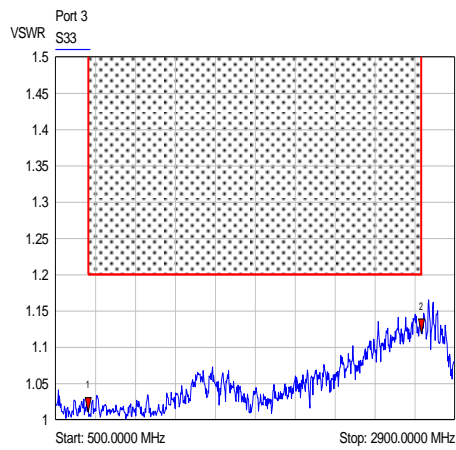
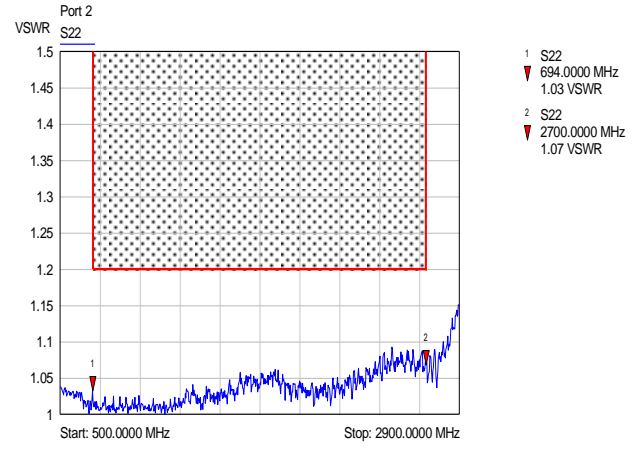
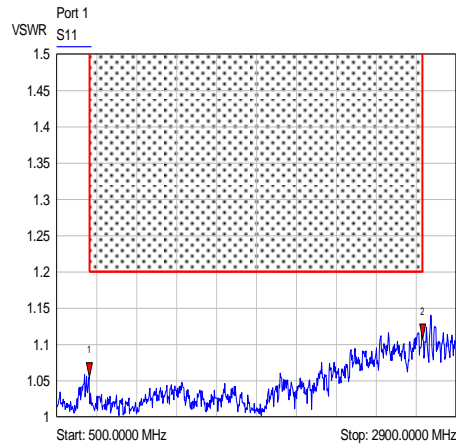
**Standard:**

7-16 female (50 ohms) : EN 122190, IEC 61169-4

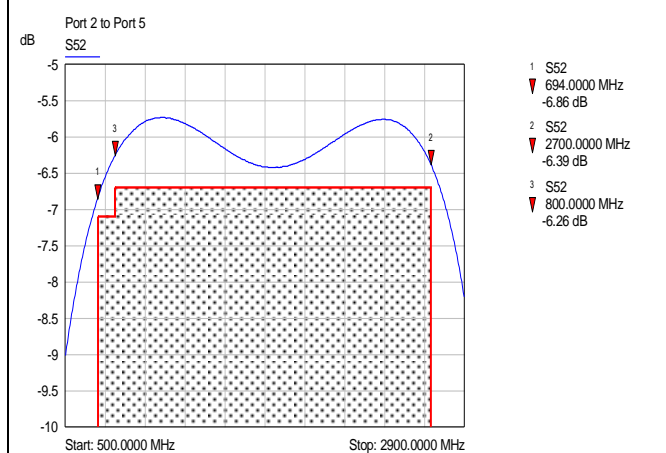
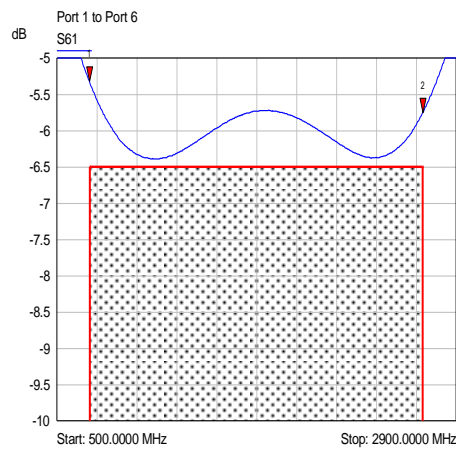
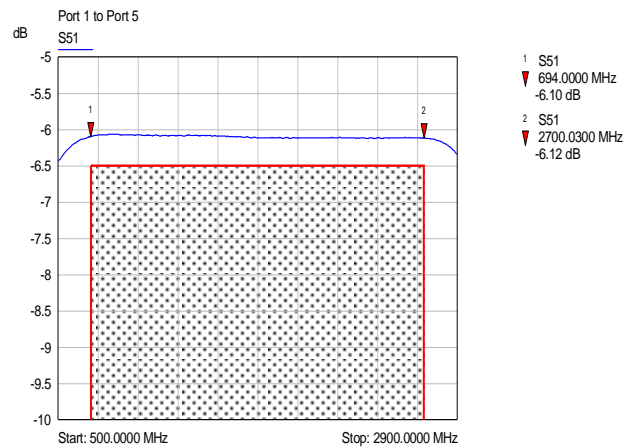
modifications reserved

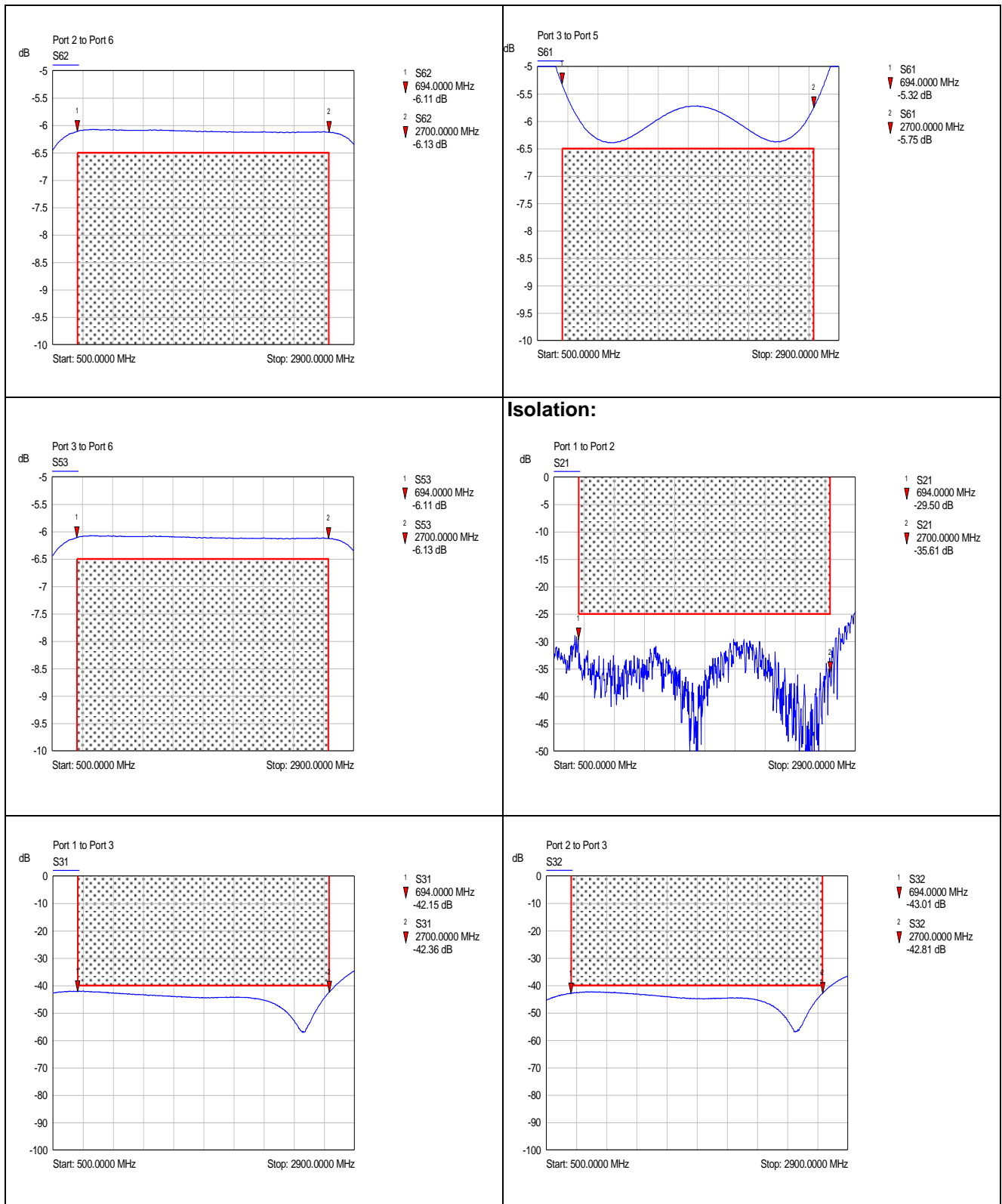
Measurements:

**VSWR:**



**Insertion loss:**





**Isolation:**