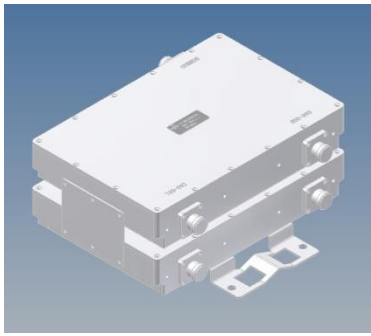
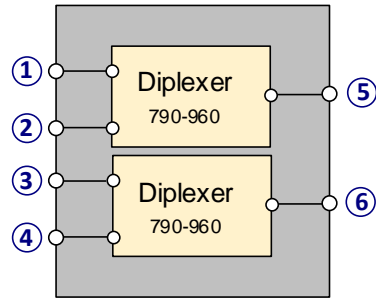


Diplexer LTE800 / GSM900



Picture not binding



block diagram

Electrical characteristics

Part number	BN 576118 (Double unit)
Frequency range Port 1,3 Port 2,4	790 – 862 MHz (LTE800) 880 – 960 MHz (GSM900)
Insertion loss	≤ 0.4 dB (typ. 0.25 dB)
VSWR	≤ 1.25 (typ. 1.2)
Isolation	≥ 50 dB (typ. 55dB)
DC by-pass	all inputs → output (unidirectional) max. 1A per input max. 60V DC (AISG Standard, 2.0, § 6.4)
Intermodulation products 3rd order @ 2 x 20 W	≤ -160 dBc typical ≤ -165 dBc
Impedance	50 Ohm
Power Rating	300 W (CW) max. per input port

Mechanical characteristics

Connectors	4.3-10 female
Dimensions, approx. (Excluding brackets and connectors)	279 x 111 x 187 mm (Width x Height x Depth)
Weight, approx.	8.5 kg
Wall / Mast mounting	Part of delivery

Environmental conditions

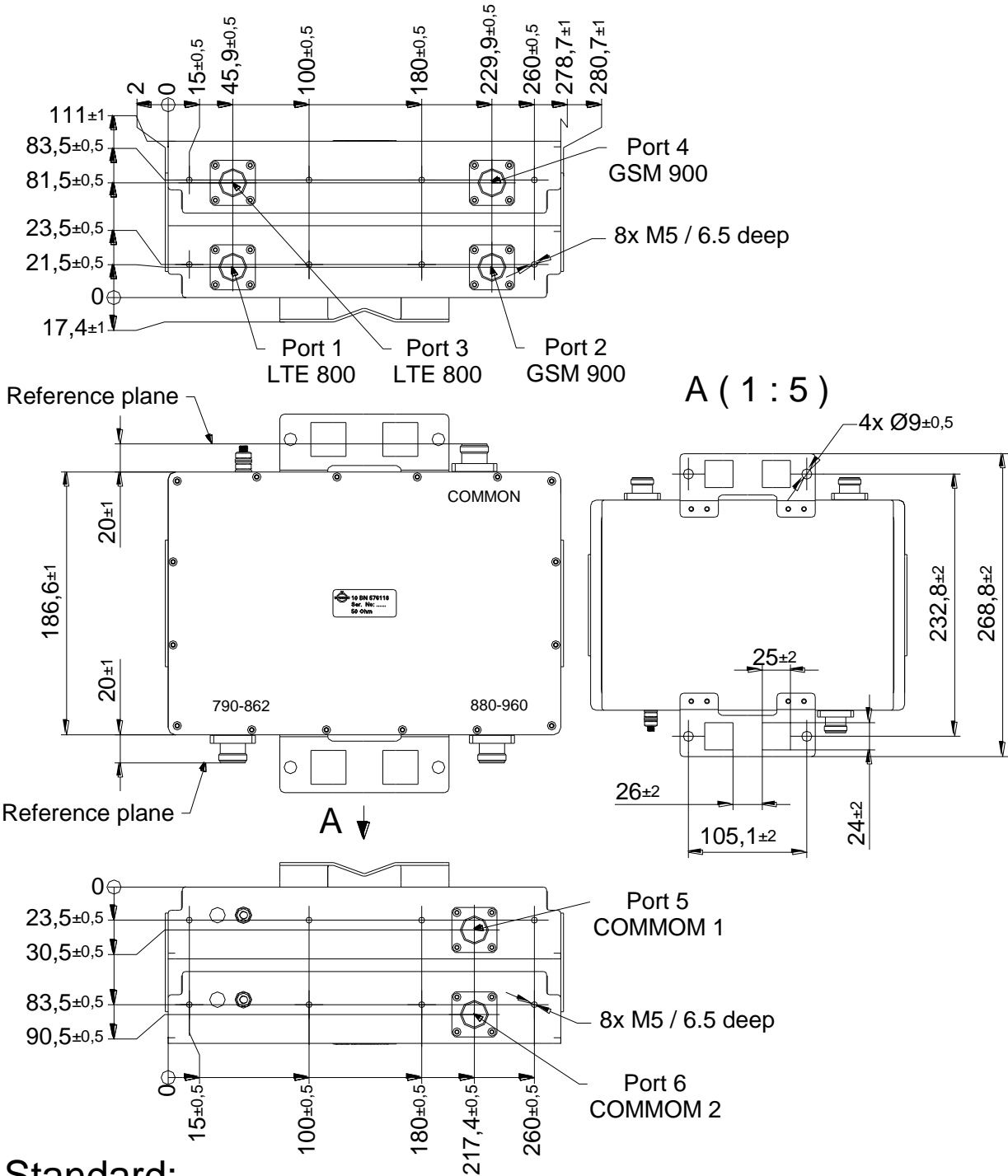
Class. of environmental conditions	ETSI EN 300019-1-1 Class 1.2 ETSI EN 300019-1-2 Class 2.3 ETSI EN 300019-1-4 Class 4.1E
Degree of protection	IP 68 (Outdoor)
Operation Ambient temperature range	-40 °C to +65 °C
Storage Ambient temperature range	-40 °C to +85 °C
Relative humidity, max.	95% (non-condensing)

SPINNER GmbH
 This document is proprietary to us.
 All rights reserved. Any use, transfer, or reproduction of this document
 or the know-how contained therein requires our express consent.

Template TD-00002Y

Diplexer LTE800 / GSM900

Outline (all dimensions in millimeter)



Standard:

4.3-10 female (50 ohms): IEC 61169-54

modifications reserved

SPINNER GmbH
This document is proprietary to us.
All rights reserved. Any use, transfer, or reproduction of this document
or the know-how contained therein requires our express consent.

Template TD-00002Y