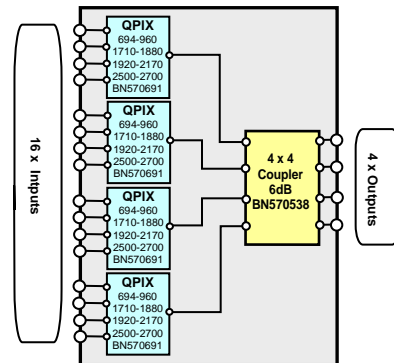


### Multiband Combining System



Not binding



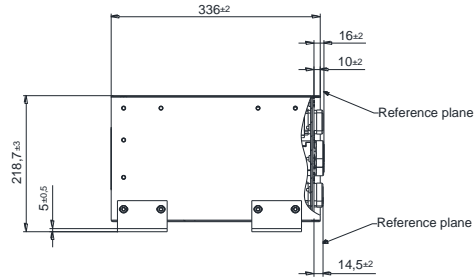
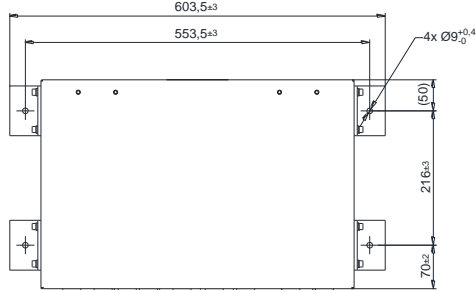
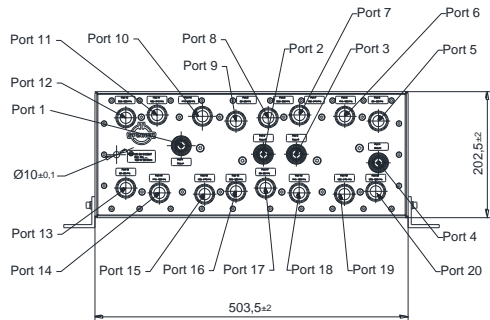
Block diagram

<b>Part number</b>	<b>BN 610647</b>
Input : output	16 : 4
Frequency range	
Band 1	694 - 960 MHz (LTE700-GSM900)
Band 2	1710 - 1880 MHz (GSM1800)
Band 3	1920 - 2170 MHz (UMTS2100)
Band 4	2500 - 2690 MHz (LTE2600)
Insertion loss(* splitting losses)	
Band 1	≤ 0.4 dB +6.1 dB ± 0.9 dB*
Band 2	≤ 0.6 dB +6.1 dB ± 0.6 dB*
Band 3	≤ 0.7 dB +6.1 dB ± 0.6 dB*
Band 4	≤ 0.5 dB +6.1 dB ± 0.6 dB*
Isolation	
Interband	≥ 50 dB
Intraband	≥ 30 dB
VSWR	≤ 1.25 typ. (1.4 max.)
Impedance	50 Ohms
Connectors	7-16 female
Power rating per Input	≤ 125 W
Intermodulation products 3rd order @ 2 x 20 W	-155 dBc max. (-160 dBc typ.)
Degree of protection	IP65 (connectors facing downwards)
Environmental conditions	ETSI EN 300019-1-1 Class 1.2 ETSI EN 300019-1-2 Class 2.3 ETSI EN 300019-1-4 Class 4.1E
Temperature range	-40 °C – +65 °C
Weight	32 kg
Mounting	Universal mounting kit included

\*unused input ports must be terminated with 5W standard load 531712 (to be ordered separately).

Dimensions (three different mounting options):

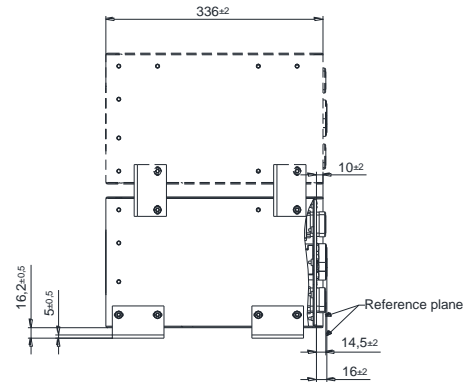
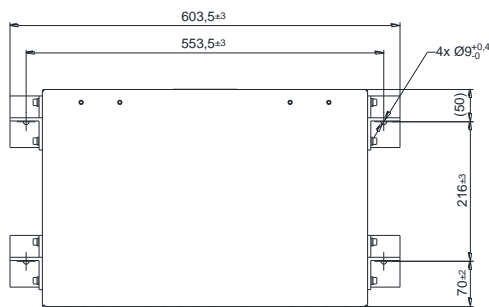
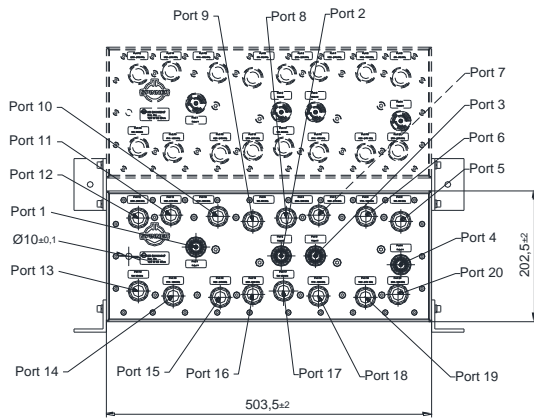
Option 1: Mounting angles used as feet



No.	In-/ Output	MHz
Port 1	Output 1	
Port 2	Output 2	
Port 3	Output 3	
Port 4	Output 4	
Port 5	Input	694 - 960 MHz
Port 6	Input	1710 - 1880 MHz
Port 7	Input	1920 - 2170 MHz
Port 8	Input	2500 - 2690 MHz
Port 9	Input	694 - 960 MHz
Port 10	Input	1710 - 1880 MHz
Port 11	Input	1920 - 2170 MHz
Port 12	Input	2500 - 2690 MHz
Port 13	Input	694 - 960 MHz
Port 14	Input	1710 - 1880 MHz
Port 15	Input	1920 - 2170 MHz
Port 16	Input	2500 - 2690 MHz
Port 17	Input	694 - 960 MHz
Port 18	Input	1710 - 1880 MHz
Port 19	Input	1920 - 2170 MHz
Port 20	Input	2500 - 2690 MHz

Standard: 7-16 female (50 ohms) : CECC 22190, IEC 61169-4 modifications reserved

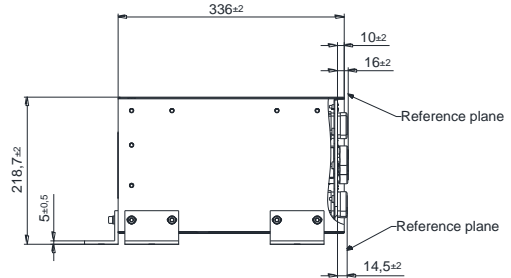
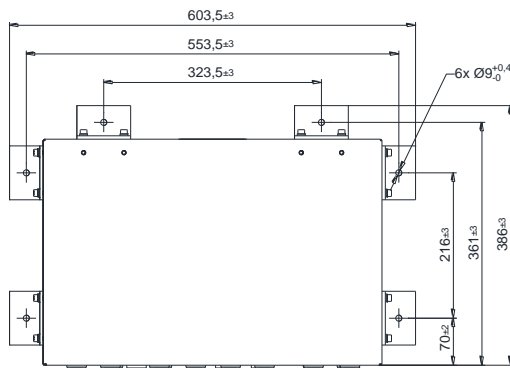
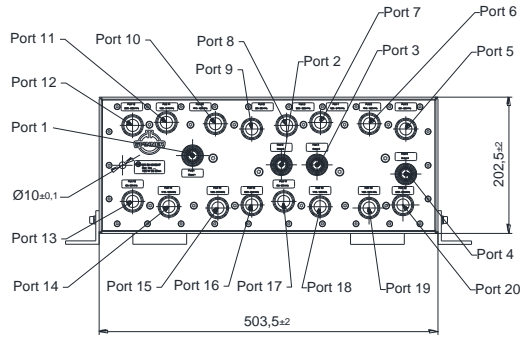
Option 2: Connecting two stacked boxes



No.	In-/ Output	MHz
Port 1	Output 1	
Port 2	Output 2	
Port 3	Output 3	
Port 4	Output 4	
Port 5	Input	694 - 960 MHz
Port 6	Input	1710 - 1880 MHz
Port 7	Input	1920 - 2170 MHz
Port 8	Input	2500 - 2690 MHz
Port 9	Input	694 - 960 MHz
Port 10	Input	1710 - 1880 MHz
Port 11	Input	1920 - 2170 MHz
Port 12	Input	2500 - 2690 MHz
Port 13	Input	694 - 960 MHz
Port 14	Input	1710 - 1880 MHz
Port 15	Input	1920 - 2170 MHz
Port 16	Input	2500 - 2690 MHz
Port 17	Input	694 - 960 MHz
Port 18	Input	1710 - 1880 MHz
Port 19	Input	1920 - 2170 MHz
Port 20	Input	2500 - 2690 MHz

Standard: 7-16 female (50 ohms) : CECC 22190, IEC 61169-4 modifications reserved

Option 3: Outdoor use (connector downward installation)



No.	In-/ Output	MHz
Port 1	Output 1	
Port 2	Output 2	
Port 3	Output 3	
Port 4	Output 4	
Port 5	Input	694 - 960 MHz
Port 6	Input	1710 - 1880 MHz
Port 7	Input	1920 - 2170 MHz
Port 8	Input	2500 - 2690 MHz
Port 9	Input	694 - 960 MHz
Port 10	Input	1710 - 1880 MHz
Port 11	Input	1920 - 2170 MHz
Port 12	Input	2500 - 2690 MHz
Port 13	Input	694 - 960 MHz
Port 14	Input	1710 - 1880 MHz
Port 15	Input	1920 - 2170 MHz
Port 16	Input	2500 - 2690 MHz
Port 17	Input	694 - 960 MHz
Port 18	Input	1710 - 1880 MHz
Port 19	Input	1920 - 2170 MHz
Port 20	Input	2500 - 2690 MHz

Standard:

7-16 female (50 ohms) : CECC 22190, IEC 61169-4

modifications reserved