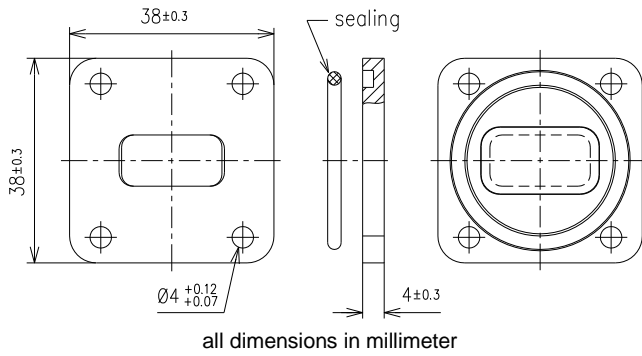


Waveguide Pressure Window R 120 || BN 617648



Interface type	similar PBR/UBR per IEC 60154-2
Frequency range	9.8 to 15.0 GHz
VSWR, max.	1.04
Material / surface finish	copper alloy / silver plated
Other metal parts / surface finish	PI foil / no finish
Sealing	silicone rubber
Differential operating pressure, max.	0.05 MPa (0.5 bar), both-way
Weight, approx.	40 g

SPINNER GmbH  
 This document is proprietary to us.  
 All rights reserved. Any use, transfer, or reproduction of this document  
 or the know-how contained therein requires our express consent.