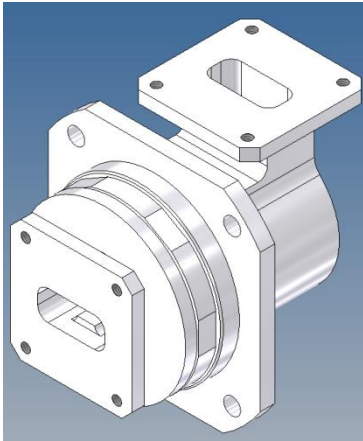


Rotary Joint || BN 635007



Radio frequency characteristics

Interface type / material / surface finish	UBR 100 / aluminum alloy / chromated
Interface orientation	style L
Frequency range	8.5 to 10.0 GHz
Peak power capability	30 kW @ sea level
Average power capability	1000 W
VSWR, max.	1.2
VSWR variation over rotation, max.	0.1
Insertion loss, max.	0.2 dB
Insertion loss variation over rotation, max.	0.1 dB

Mechanical characteristics

Rotating speed, max.	300 rpm
Life, min.	200 x 10 ⁶ revolutions
Torque (room temperature), max.	0.4 Nm @ start-up 0.4 Nm @ rotation
Interface loads, max.	±10 N in axial direction ±10 N in radial direction
Case material	aluminum alloy, sea water resistant
Case surface finish	no finish
IP protection level	IP64 per EN 60529 (all interfaces connected with appropriate gaskets)
Weight, approx.	0.8 kg
Marking	laser engraving

Rotary Joint || BN 635007

Environmental conditions

Operation	
Ambient temperature range	-40 to +71°C
Storage	
Ambient temperature range	-55 to +85°C
Relative humidity, max.	95% (non-condensing)

Applicable documents

Drawing	6350EP-0E, Issue A
Technical information	"Rotary Joints – Glossary", Technical Document TD-00021, Spinner GmbH